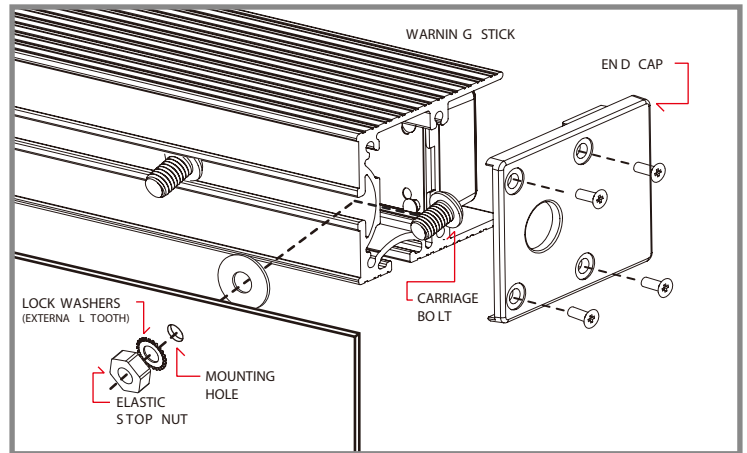


LED Warning / Traffic Stick Manual

INSTALLATION

1. Remove endcap (side without cable) and insert mounting carriage bolts.
2. For Surface Mount, drill 1/4" (6.3mm) holes to the mounting surface.
3. Place Disk Gasket onto each bolt, and insert bolts into mounting holes.
4. Place Lockwasher and Elastic Stop Nut onto each bolt, and tighten firmly.
5. For Bracket Mount (sold separately), refer to mounting bracket manuals.



POWER WIRING

RED: to +VDC (with fuse according to the following chart)

LIGHTHEAD TYPE	2 HEADS	4 HEADS	6 HEADS	8 HEADS	10 HEADS
3-LED Lighthouse	3 Amps	3 Amps	5 Amps	5 Amps	10 Amps
4-LED Lighthouse	3 Amps	5 Amps	5 Amps	10 Amps	10 Amps
6-LED Lighthouse	3 Amps	5 Amps	10 Amps	10 Amps	15 Amps

BLACK: to Chassis Ground

CONTROL WIRING FOR WARNING STICKS

WHITE: for Simultaneous or Alternating Flash

Group1: Sticks with **WHITE** connected to **RED** will flash together

Group2: Sticks with **WHITE** not connected to **RED** will flash together

*Group1 will alternate with Group2

YELLOW: for Synchronization & Flash Pattern Change (refer to Flash Patterns chart)

Connect **YELLOW** wires of all sticks together for synchronization

*All sticks must be set at the same pattern

Note: Some patterns are not suitable for synchronization.

FP#	FLASH PATTERN	FP#	FLASH PATTERN	FP#	FLASH PATTERN
0	Kit Scan	9	Quint (split)	18	Mega (all)
1	Outside-In Single	10	Mega (split)	19	Ultra (all)
2	Outside-In Ultra	11	Ultra (split)	20	Single-Quad (all)
3	Side-by-Side Single	12	Single-Quad (split)	21	Single H/L (all)
4	Side-by-Side Ultra	13	Single H/L (split)	22	Steady 2 (california)
5	Random	14	Single (all)	23	Steady 4 (all)
6	Single (split)	15	Double (all)	24	Left Chaser
7	Double (split)	16	Quad (all)	25	Right Chaser
8	Quad (split)	17	Quint (all)		

Momentarily apply +VDC to **YELLOW** wire:

- Once for next pattern
- Quickly 3 times for reset to FP#0

Note: This unit is not factory set at FP#0

The following FP# are not available in 2 Head Sticks:
FP# 0, 1, 2, 3, 4, 24, 25

*(split)=side by side alternating *(all)=all LEDs on

CONTROL WIRING FOR TRAFFIC ARROW STICKS

ORANGE: to +VDC for Left Arrow **ORANGE+BLUE:** to +VDC for Center Out
BLUE: to +VDC for Right Arrow
BROWN: to +VDC for Warning Patterns (Arrow Function wires must be deactivated).

YELLOW: for Pattern Change (refer to Flash Patterns chart)
GREEN: to +VDC for Low Power (disconnect for High Power)
 or for end flasher heads on/off (only for models with end flashers)
WHITE: only used when connecting with SW610-TA switch (sold separately)

Note: The correct side up is facing the front of the stick with wiring coming out the right side.

FP#	ARROW PATTERNS (ORANGE/BLUE)	WARNING PATTERNS (BROWN)	END FLASHER PATTERNS (GREEN)
0	Sweep Single	Random	Random
1	Sweep Double	Outside-In Single	Single (split)
2	Sweep Triple	Outside-In Ultra	Quad (split)
3	Sweep Single End x2	Side-by-Side Single	Mega (split)
4	Solid	Side-by-Side Ultra	Ultra (split)
5	Solid End2	Kit Scan	Single-Quad (split)
6	Solid Chaser	Single (split)	Single (all)
7	Solid Fade	Ultra (split)	Quad (all)
8	Blink Double	Single H/L (split)	Ultra (all)
9	Blink Triple	Single (all)	Single-Quad (all)
10	Blink Solid	Ultra (all)	**In-Sync-Mode

Momentarily apply +VDC to **YELLOW** wire:
 • Once for next pattern
 • Quickly 3 times for reset to FP#0

Note: This unit is not factory set at FP#0

*(split)=side by side alternating *(all)=all LEDs on

****In-Sync-Mode:** during warning mode, end flasher heads will sync according to the warning pattern.

Note: to select End Flasher Patterns, Arrow and Warning Function wires must be deactivated.

CONNECTION TO SW610-TA SWITCH PANEL (sold separately)

1. Choose a place to install the Switch Panel.
2. Route Switch Panel **RED** & **BLACK** wires toward vehicle battery.
3. Route Traffic Arrow Stick wires to Switch Panel and splice same color wires together.

Console Mount Installation

1. Check that all parts are present.
 Labels: Switch Panel (front view), Console Panel (user supplied), Mounting Flaps & Screws (2 sets).

2. Flip to the rear side and position Switch Panel accordingly.
 Labels: Switch Panel (rear view), Console Panel (rear view).

3. Secure Mounting Flaps with screws so that they firmly pinch the Console Panel.

4. Splice wires with Traffic Arrow Stick wires and mount Console Panel onto Console.
Note: AUX button activates Low Power or End Flasher function.

Screw Mount Installation

Mount by using the 2 holes at the top with the 2 supplied screws.

side view

Plug harness to the back of panel, and splice wires with Traffic Arrow Stick wires.

Note: do not splice **RED** and **BLACK** wires with Traffic Arrow Stick wires. They must be connected to +VDC and ground.