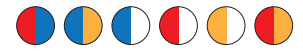


# TORRENT

Dual Colour



## LED LIGHTBAR



### FEATURES

- **Modern Outline:**  
Low-profile design, with a solid, sturdy look to best fit your vehicle.
- **Dual Aluminum Plates:**  
Solid Top and Base Aluminum plates for best rigidity and heat dissipation.
- **2.6" (67mm) Thickness:**  
Low profile, aerodynamic shape for minimum air resistance and wind shear.
- **Advance Optics:**  
New Linear D-Fuser Technology with powerful SAE/CA3/ECE-R10 approved performance.
- **Built-in Traffic Arrow:**  
Built-in rear traffic director function.
- **Plus Takedown, Alley Light:**  
Optional special lighthouse for special application.

### SPECIFICATIONS

Approvals\*: SAE J845 Cass 1; CA Title 13 ; ECE-R10  
\*actual approvals may varies; based on actual model ordered.

No. of Warning Mode: 3  
No. of pre-set warning Flash Pattern: 17  
No. of Traffic Arrow Pattern: 11  
Operating Voltage: 12VDC or 24VDC

Max. Current\*\*:

44": 16.7A@12.8V;	49": 18.3A@12.8V;
44": 8.4A@25.6V;	49": 9.2A@25.6V;
54": 19.9A@12.8V;	59": 22.4A@12.8V;
54": 10A@25.6V;	59": 11.2A@25.6V;

\*\*actual current may varies between model ordered, based no. of lighthoods.

#### Input / Wire Gages

**Power Cable:** RED - +Vcc @12AWG  
BLACK - -GND @12AWG  
**Function Cable:** 16 x 20AWG

### LIGHTHEAD OPTIONS

- Corner Lighthouse Optics:**
- i. 12 LED D-Fuser Dual Colour
- Middle Lighthouse Optics:**
- i. 12 LED Linear Dual Colour
  - ii. 6 LED Linear Single Colour
- Optional Lighthouse:**
- i. 3 LED Alley Light,
  - ii. 6 LED Takedown / Work Lamp, or
  - iii. 9 LED Takedown / Work Lamp.

### COLOUR OPTIONS

- LED Colour:**  
Dual Colour Red, Blue, Amber or White
- Lens Colour:**  
Clear or Opaque White
- Coloured Top Cover:**  
Red, Blue, Amber, White or Black

### MOUNTING OPTIONS

**Standard Feet**  
Bolt/Strap  
Mount



**Adjustable Feet**  
Bolt/Strap  
Mount



**Flat Surface Feet**  
Surface Mount

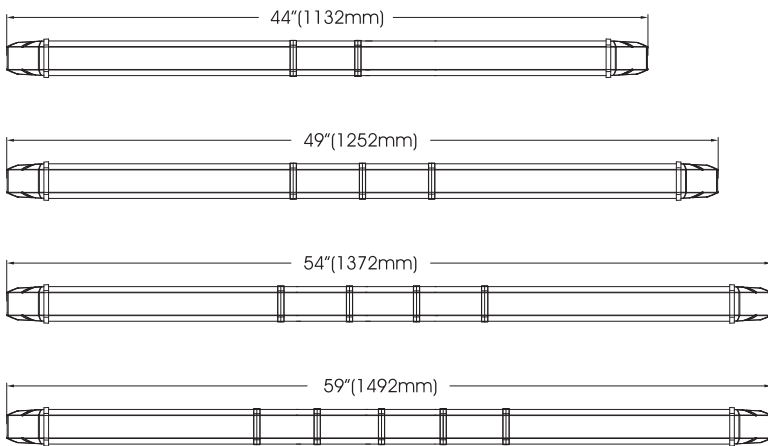


**Flat Surface Feet**  
Surface Mount

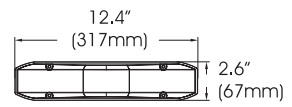


## DIMENSIONS

### AVAILABLE LENGTH :



### HEIGHT & WIDTH :



## LAYOUT

### STANDARD EDITION :

