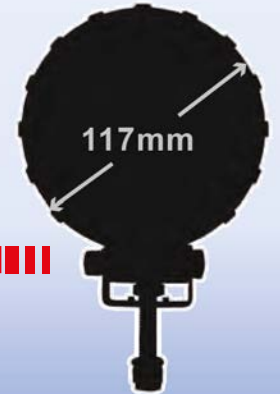




WLG SERIES LED Work Lamp

THE SAME SMART LOOK IN
A MORE COMPACT SIZE!



WLG SERIES

WLB SERIES

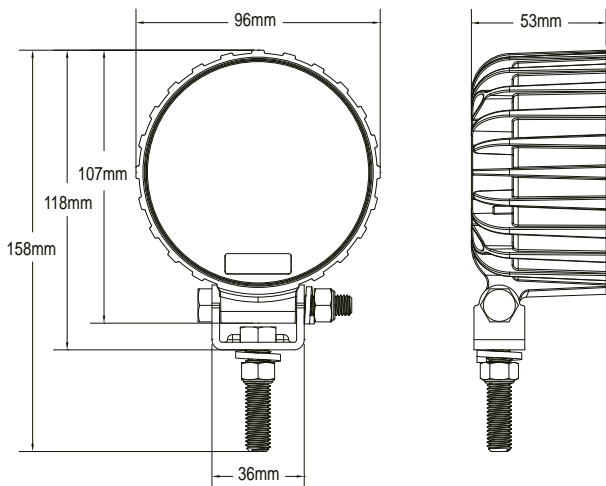
18% Smaller!



FEATURES

- ✓ Multi-Voltage 9~50VDC
- ✓ Interference free: Meets EMC requirements
- ✓ Waterproof: Meets IP67
- ✓ Beam shape: Flood or Spot
- ✓ Max. Current (Amps) : 1.2A @9VDC / 0.2A@50VDC

DIMENSIONS



APPLICATIONS

