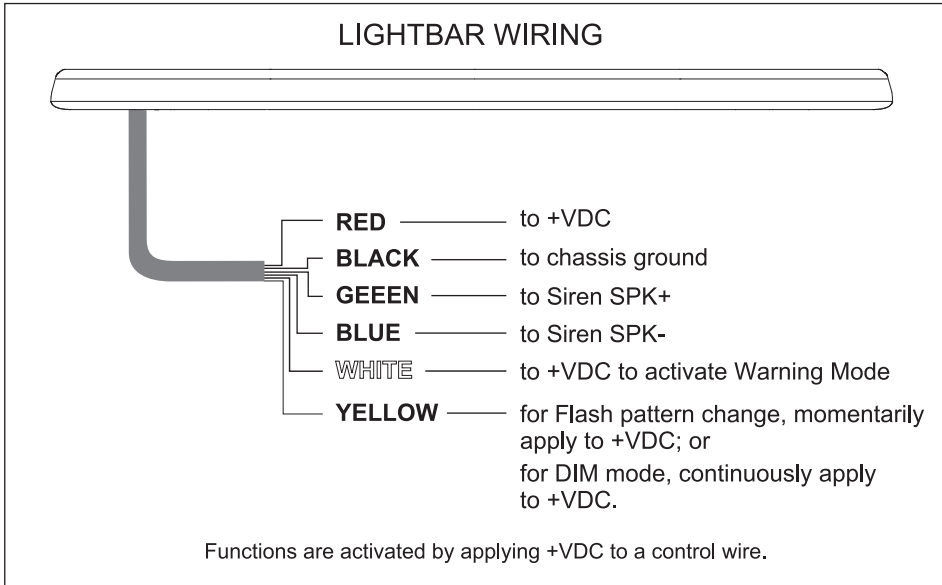


Operation Manual

LF-1

WIRING & FUNCTIONS (A7-R65)

Different applications require different functions. It is highly recommended to determine and configure the required functions prior to Installation; (refer to 'CONTROL WIRES' section).



POWER WIRES

1. Route Power Cable to the vehicle firewall towards the battery.
2. Follow factory wiring harness through the firewall. It may be necessary to drill a hole in the firewall. Ensure that there are no components that could be damaged from the drilling.
3. Route the cable to the battery.
4. Install a fuse (user-supplied) on the end of **RED** wire, then connect to battery.
5. Connect **BLACK** wire to the factory chassis ground adjacent to the battery.

NOTE: make sure that all wires of power cable are securely connected to power source.

Lightbar length	Suggested fuse	
	12VDC	24VDC
43"	10A	7.5A
49"	15A	7.5A
54"	15A	7.5A
60"	16A	7.5A

SIREN SPEAKER WIRES

1. Route speaker wires towards the siren unit (user-supplied).
2. Connect the speaker wires to the respective siren output.

CONTROL WIRES

1. Route Control wires towards the dash area to a switch panel (user-supplied).
2. Connect the required wires to the switch panel.

WARNING MODE

Activate Warning Mode by applying **+VDC** to **WHITE** wire. There is a list of built-in flash patterns to choose from. While in Warning Mode, tap **+VDC** to **YELLOW** wire:

- Once for next pattern.
- Quickly 3 times for FP#1.

FP#	FLASH PATTERN
1	Double (corners) R65
2	Double (all) 2Hz
3	Double (split) 2Hz
4	Quad (all) 2Hz
5	Quad (split) 2Hz
6	Single (all) 2Hz
7	Single (split) 2Hz

NOTE: For ECE-R65 mode, FP#1 should be used.

DIM MODE

If desired, the bar can be switched to DIM Mode. While Warning Mode is activated, apply **+VDC** to **YELLOW** wire continuously to switch to DIM Mode. Simply remove **+VDC** from **YELLOW** wire to de-activate.