

OEG 9-LED Warning Lamp

ONE EIGHTY (Surface Mount)



M44

FEATURES

- True 180° wide-angle LED warning module.
- Multi-Voltage Input 12~24VDC.
- Built-in 12 selectable flash patterns.
- LEDs rated to 100,000 hours of operation.
- Non-volatile memory recalls last flash pattern used at power up.
- Multiple units are synchronizable and can flash simultaneously or alternately.
- Reverse polarity protection.
- Weatherproof and vibration resistant design for external or internal use.
- Aluminum base for heat dissipation.

SPECIFICATIONS

Meets: SAE J595 Class1, SAE J845 180° Class1

Bulb: High-power LED x 9pcs

Warning Patterns: 12 Flash Patterns

Operating Voltage: 12~24VDC

Avg. Current: 0.58A @12VDC / 0.28A @24VDC
(varies with flash pattern)

Avg. Power: 7 Watts (varies with flash pattern)

Max. Current: 1.16A @12VDC / 0.58A @24VDC

Max. Power: 14 Watts

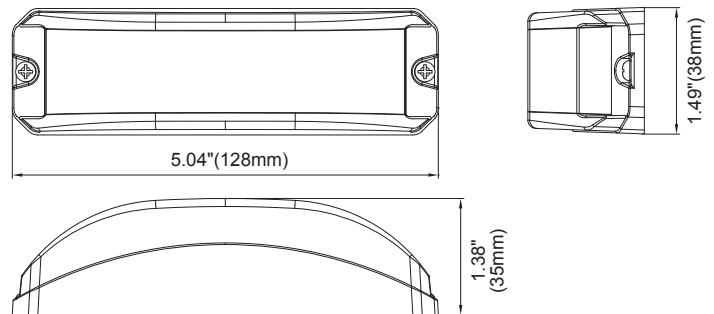
Wires: Red-Vcc : 20cm (20AWG)
Black-GND : 20cm (20AWG)
Yellow-Flash Patterns & Sync : 20cm (20AWG)
White-Alternating Flash : 20cm (20AWG)

Fuse Recommended: 2A

Multi-Unit Synchronization: Over 15 units

Available in: RED, BLUE, AMBER, WHITE

DIMENSIONS



PART NO.

- M44-0113A-00 (AMBER)
- M44-0113B-00 (BLUE)
- M44-0113R-00 (RED)
- M44-0113W-00 (WHITE)

FLASH PATTERN

FP#	Flash Patterns		
1	Random	7	Quad (SAE)
2	Steady	8	Quint (SAE)
3	Single (SAE)	9	8 Flash (SAE)
4	Mega	10	Single-Quad
5	Double (SAE)	11	Single H/L
6	Triple (SAE)	12	Single-Triple-Quint

Mounting Brackets

97.M44001.00
(L-BRACKET SINGLE HEAD)

