

# Mini Stealth

## 6+6 LED DUAL COLOUR LIGHTHEAD (Surface Mount/ Hood Mount)



### FEATURES

- 6LED+6LED Dual colour.
- SAE Class 1 high power output.
- ECE R10 EMC Compliance.
- 0.68" (17.2mm) low-profile thickness.
- Long life LEDs rated to 100,000 hours of operation.
- Non-volatile memory recalls last flash pattern used at power up.
- Multi-units synchronization in simultaneous or alternating flash.
- Reverse polarity protection.
- Weatherproof and vibration resistant design for internal or external use.
- Aluminum base for efficient heat dissipation.

### SPECIFICATIONS

**Meets:** SAE J595, CA13 (R/B/Y), ECE R10-04

**Bulb:** High-power LED x 12pcs

**Warning Patterns:** 12 Flash Patterns

**Operating Voltage:** 12~24VDC

**Avg. Current:** 0.6A@12VDC / 0.3A@24VDC

**Avg. Power:** 7.2W

**Max. Current:** 1.2A@12VDC / 0.6A@24VDC

**Max. Power:** 14.4W

**Wires:** Red-Vcc : 20cm (20AWG)  
White-Vcc : 20cm (20AWG)  
Black-GND : 20cm (20AWG)  
Yellow-Flash Patterns & Sync : 20cm (20AWG)

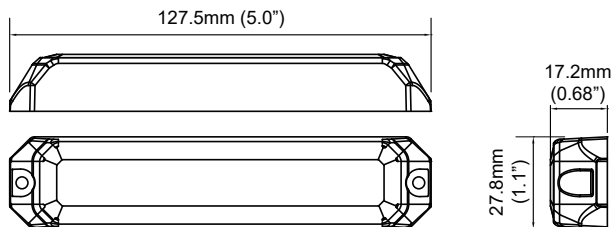
**Fuse Recommended:** 2A

**Multi-Unit Synchronization:** Over 15 units

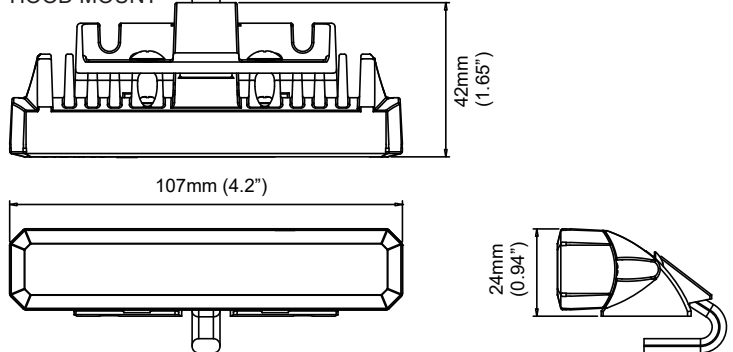
**Available in:** BLUE, AMBER, RED, WHITE

### DIMENSIONS

#### SURFACE MOUNT



#### HOOD MOUNT



### PART NO.

- M56-0x13D-00R (BLUE/AMBER)
- M56-0x13K-00R (AMBER/WHITE)
- M56-0x13Q-00R (RED/BLUE)
- M56-0x13U-00R (RED/WHITE)
- M56-0x13J-00R (RED/AMBER)
- M56-0x13T-00R (BLUE/WHITE)

Replace x for:

0 = Surface Mount

1 = Hood Mount

### FLASH PATTERN

FP#	Flash Patterns		
1	Random	7	Quad (SAE)
2	Steady	8	Quint (SAE)
3	Single (SAE)	9	8-Flash (SAE)
4	Mega	10	Single-Quad
5	Double (SAE)	11	Single H/L
6	Triple (SAE)	12	Single-Triple-Quint