

R0

4LED WARNING / MARKER LAMP 3LED ILLUMINATION



FEATURES

- Selections in Warning, Side Marker, Clearance and Illumination model for versatile applications.
- Two Warning Models: Flashing version (SAE Single Flash) or Steady-Burn version.
- Steady-Burn Warning Model can be connected to an external flasher (user supplied) for customized flash pattern.
- Side-marker and Clearance lamps model meets SAE J592 & SAE J2042 for all vehicle type.
- Illumination model meets NFPA regulation for narrow space lighting when configured correctly.
- Available with standard or 45° angled flange for Illumination model.
- Reverse polarity protection.
- Weatherproof and vibration resistant design for all environments.

SPECIFICATIONS

Compliance:

- SAE J595 Class 3 (Red, Amber)
- SAE J592 / J2042 (Red, Amber)
- NFPA 13.10.3; IPX7

LED Element:

- Warning Model - High Power LED x 4 pcs
- Side Marker / Clearance Model - High Power LED x 4 pcs
- Illumination Model - High Power LED x 3 pcs

No. of Warning Pattern: 1 (for single flash warning model only)

Operating Voltage: 12VDC

Avg. Current:

- Warning Model: 60mA @12VDC
- Side Marker / Clearance Model: 40mA @12VDC
- Illumination Model: 20mA @12VDC

Max. Current: 60mA @12VDC

Avg. Power: 0.24W (Illumination) / 0.36W (Others)

Max. Power: 0.72W

Wires: Red-Vcc: 31cm (20AWG)
Black-GND: 31cm (20AWG)

Fuse Rating: 0.5A

Lens Colour: Clear

LED Colour:

- Warning Model: Red, Blue, Amber, White
- Side Marker / Clearance Model: Red, Amber, Green
- Illumination Model: White

Storage Temp. (°C): -40° ~ +75°

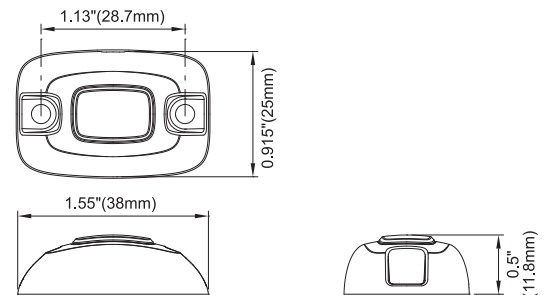
Working Temp. (°C): -30° ~ +65°

Warranty: 5 Years

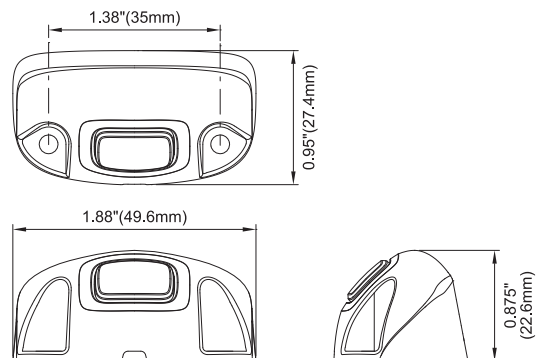


DIMENSIONS

Standard Surface Mount



45° Angled Surface Mount



FLASH PATTERN

Warning Flash Pattern		
1	Single (2.5Hz)	[SAE]

PART NO.

■ M072-x0y1z-00R

Model - replace "x" with the following:

- 0 = Warning Flash
- 1 = Warning Steady
- 2 = Marker Lamp
- 3 = Illumination

Flange - replace "y" with the following:

- 0 = Standard Flange
- 1 = 45° Angled Flange

Colour - replace "z" with the following:

- R = Red LED & Clear-Lens
- B = Blue LED & Clear-Lens
- A = Amber LED & Clear-Lens
- W = White LED & Clear-Lens
- G = Green LED & Clear-Lens