

SQ4-R65

4 LED LIGHTHEAD



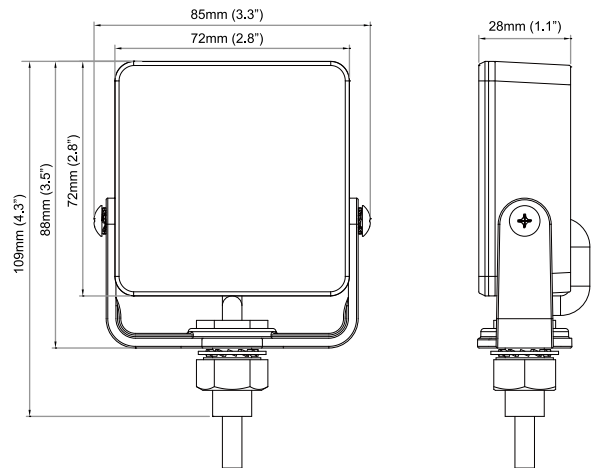
FEATURES

- ECE R65 certified high power output.
- ECE R10 EMC Compliance.
- High-Intensity LED x 4.
- Multi-Voltage Input 11~30VDC.
- Built-in 5 Selectable Flash Patterns.
- Long Life LEDs rated to 100,000 hours of operation.
- Non-volatile memory recalling last flash pattern used at power up.
- Multiple units synchronization in simultaneous or alternating flash.
- Reverse polarity protection.
- Weatherproof and vibration resistant design for external or internal use.
- Solid Aluminum base for efficient heat dissipation.

SPECIFICATIONS

Meets: ECE R65 (XA1), ECE R10
Bulb: 1W LED x 4pcs
Warning Patterns: 5 Flash Patterns
Operating Voltage: 12~24VDC
Avg. Current: 0.32A @12VDC / 0.16A @24VDC
 (varies with flash pattern)
Avg. Power: 3.85 Watts (varies with flash pattern)
Max. Current: 0.64A @12VDC / 0.32A @24VDC
Max. Power: 7.7 Watts
Cable Length: 120cm (4 ft)
Wire Functions: Red - Vcc
 Black - GND
 Yellow - Flash Patterns & Sync & Phase
 White - Steady Burn
Fuse Recommend: 1A
Available in: AMBER

DIMENSIONS



PART NO.

- M24-1103C-00.....SQUARE, L-BRACKET, AMBER (XA1)
- M24-1203C-00.....SQUARE, U-BRACKET, AMBER (XA1)

FLASH PATTERN

Flash Patterns			
1	Single (2Hz)	4	Quad (2Hz)
2	Double (R65)	5	Steady 4
3	Triple (2Hz)		

MOUNTING BRACKETS

MBUBSQ4
(Plastic)



MBU2SQ4
(Metal)



MBGSSQ4

