

B16-LITE

LED BEACON



FEATURES

- SAE Class II Compliance in Amber and Red.
- ECE R10 Electromagnetic Compatibility.
- 11~110VDC Multi-Voltage operation.
- 100,000 hours rated LED.
- Non-volatile flash pattern memory.
- Reverse polarity protection.
- Weatherproof & shockproof capability for all environment.
- Various mounting options for versatile installation.

SPECIFICATIONS

Compliance: SAE J845 Class 2 (Amber, Red); ECE R10

IP Rating: IP6K6; IP6K6K

*Telescopic Pole Mount: IPX6

Operating Voltage: 11~110VDC

No. of Warning Pattern: 5

LED Elements: High-power LED x 3 pcs

Avg. Current: 0.2A @12.8V / 0.07A @110V
(varies by flash pattern)

Max. Current: 0.47A

Avg. Power: 2.56W @12.8V / 7.7W @110V
(varies by flash pattern)

Wire: *Magnetic Mount*

- Single button cigar-plug: 300cm (22AWG)

Permanent Mount

- Red-Vcc : 40cm (18AWG)
- Black-GND: 40cm (18AWG)

Fuse Rating: 1A

Synchronization: NA.

Storage Temp.: -40°C to +75°C

Operating Temp.: -30°C to +65°C

LED Colour: Amber, Blue, Red, White

Lens Colour: Amber, Blue, Red, Clear

PART NO.

- **B016-2x6B1-00R** Amber LED, Amber Lens, (W3-2)
- **B016-2x6B2-00R** Blue LED, Blue Lens
- **B016-2x6B4-00R** Red LED, Red Lens, (W3-2)
- **B016-2x6BW-00R** White LED, Clear Lens
- **B016-2x7B1-00R** Amber LED, Amber Lens, (ECE R10)
- **B016-2x7B2-00R** Blue LED, Blue Lens, (ECE R10)
- **B016-2x7B4-00R** Red LED, Red Lens, (ECE R10)
- **B016-2x7BW-00R** White LED, Clear Lens, (ECE R10)

Mounting - replace x with the following:

- 1 = 3-BOLT MOUNT
- 2 = MAGNETIC MOUNT (Coiled cord with cigar-plug)
- 3 = DIN MOUNT ★
- 5 = POWER MAG MOUNT (Coiled cord with cigar-plug) ★❖
- 9 = Ø18MM POLE MOUNT (Off-centred Cable-out) ★
- A = Ø36MM POLE MOUNT (Centred Cable-out) ★
- B = TELESCOPIC POLE MOUNT (2 Wire Cable-out) ★
- ★ Special order
- ❖ Power Mag is rated up to 250km/hr

FLASH PATTERN

FLASH PATTERN			
1	8 Flash	4	Triple
2	Single	5	Quad
3	Double		

ACCESSORIES

05200559

Motorcycle Telescopic Pole



05200399

B16 Protective Guard



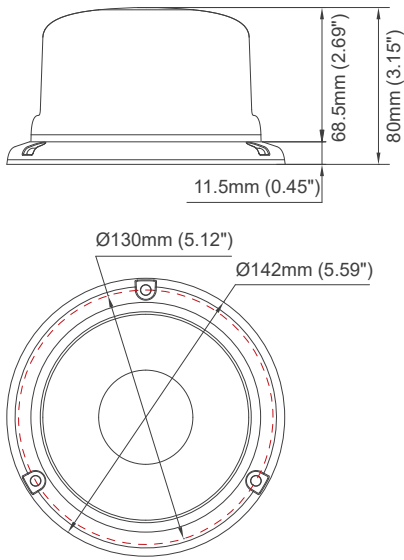
05200207

B16 Power Magnetic Rubber Base

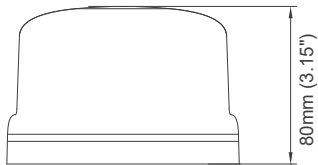


DIMENSIONS

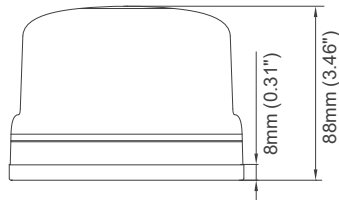
3-Bolt Mount



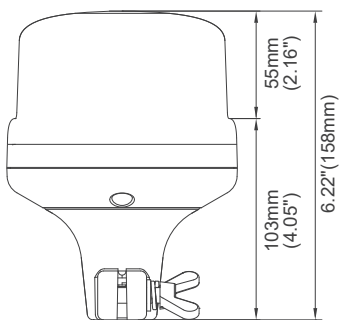
Magnetic Mount



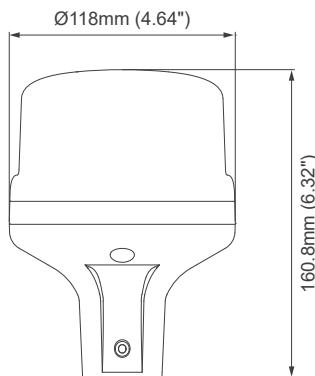
Power Magnetic Mount



DIN Pole Mount



Ø18/Ø36MM Pole Mount



Telescopic Pole Mount

