

# B16-REVO



## FEATURES

- Newly design LED optic certified ECE R65 Rotating Beacon.
- ECE R10 EMC Electromagnetic Compatibility.
- 12~24VDC operation.
- 100,000 hours rated LED.
- Non-volatile flash pattern memory.
- Reverse polarity protection.
- Weatherproof & shockproof capability for all environment.
- Various mounting options for versatile installation.

## SPECIFICATIONS

**Compliance:** ECE R65 Class 1 (Rotating TA1 or TB1);  
ECE R10

**IP Rating:** IP6K6; IP6K6K

\*Telescopic Pole Mount: IPX6

**Operating Voltage:** 12~24VDC

**No. of Warning Pattern:** 1

**LED Elements:** High Power LED x 10 pcs

**Avg. Current:** 1.28A @12V / 0.64A @24V  
(varies by flash pattern)

**Max. Current:** 1.28A @12V / 0.64A @24V

**Avg. Power:** 15.3W (varies by flash pattern)

**Max. Power:** 15.3W

**Wires:** *Magnetic Mount*

- Single button cigar-plug: 300cm (18AWG)

*Permanent Mount*

- Red-Vcc : 40cm (18AWG)
- Black-GND: 40cm (18AWG)

**Fuse Rating:** 3A

**Synchronization:** NA.

**Storage Temp.:** -40°C to +75°C

**Operating Temp.:** -30°C to +65°C

**LED Colour:** Amber, Blue

**Lens Colour:** Amber, Blue

## PART NO.

■ **B016-3x838-00R** (Rotating TA1, Amber LED, Amber Lens)

■ **B016-3x832-00R** (Rotating TB1, Blue LED, Blue Lens)

Replace **x** for:

1 = 3-BOLT MOUNT

2 = MAGNETIC MOUNT (Straightcord w/ Standard Cigar Plug)

3 = DIN POLE MOUNT

4 = MAGNETIC MOUNT (Coiled cord w/ ISO 4165 "European" Plug)

6 = POWER MAG. MOUNT❖ (Coiled cord w/ ISO 4165 "European" Plug)

9 = Ø18MM POLE MOUNT★ (Off-centred Cable-out)

A = Ø36MM POLE MOUNT★ (Centred Cable-out)

B = TELESCOPIC POLE MOUNT★ (2 Wire Cable-out)

★ Special order

❖ Power Mag is rated up to 250km/hr

## FLASH PATTERN

FLASH PATTERN	
1	Rotator [R65]

## ACCESSORIES

**05200559**

Motorcycle Telescopic Pole



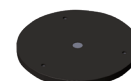
**05200399**

B16 Protective Guard



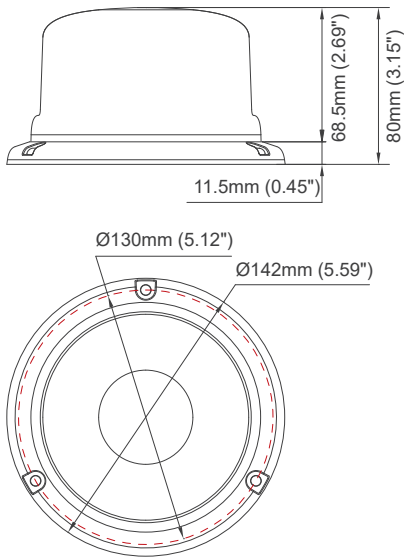
**05200207**

B16 Power Magnetic Rubber Base

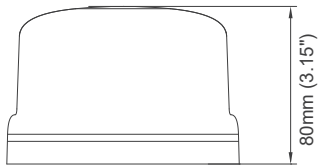


## DIMENSIONS

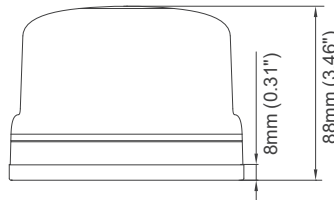
### 3-Bolt Mount



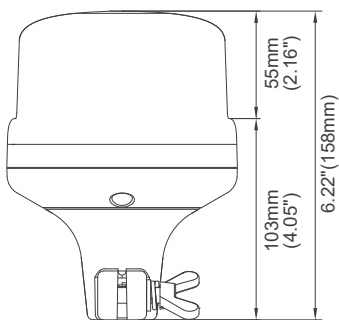
### Magnetic Mount



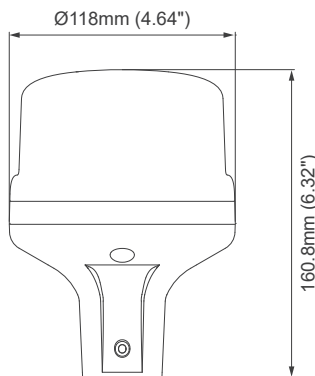
### Power Magnetic Mount



### DIN Pole Mount



### Ø18/Ø36MM Pole Mount



### Telescopic Pole Mount

