

# LED BEACON

## WIRING / OPERATION

**RED:** To +VDC with Fuse (Fuse Rating 5A @12-24VDC)

**BLACK:** To Chassis Ground (-)

**WHITE:** Apply +VDC continually for low power operation

**YELLOW:** Flash patterns & Synchronization

Connect **YELLOW** wires of beacons together for synchronization

**Note:** All units should be set at the same pattern

Momentarily apply +VDC to **YELLOW** wire:

- once for next pattern
- quick 3 times to Flash Pattern 1.

FP#	FLASH PATTERNS
1	Double [R65]
2	Single [2Hz]
3	Quad [2Hz]
4	Single [SAE] [CA 13]
5	Double [SAE]
6	Quad [SAE]
7	Quint [SAE]
8	Mega
9	Ultra [SAE]
10	Single-Quad
11	Single H/L
12	Rotator x1
13	Rotator x2
14	Rotator x2 - Quint

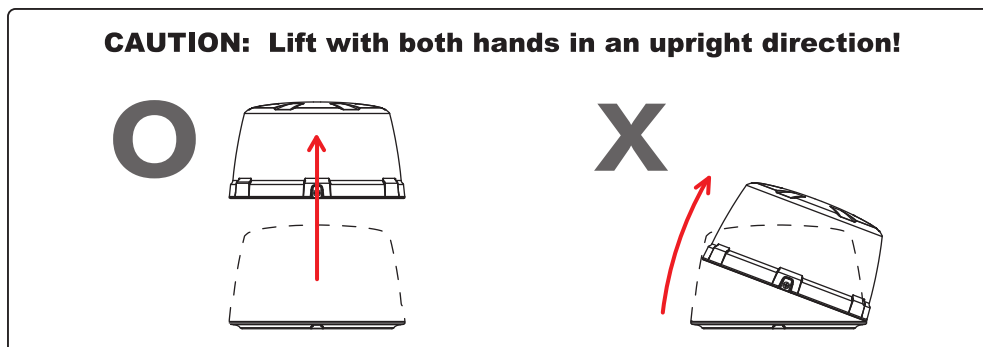
\*Actual approval will be based on model ordered.

## MIRROR MOUNTING

### OPEN

1. Remove 2 screws from the base that secures the dome.
2. Remove the dome with a flat-blade screwdriver, then lift the lens with both hands in an upright direction.

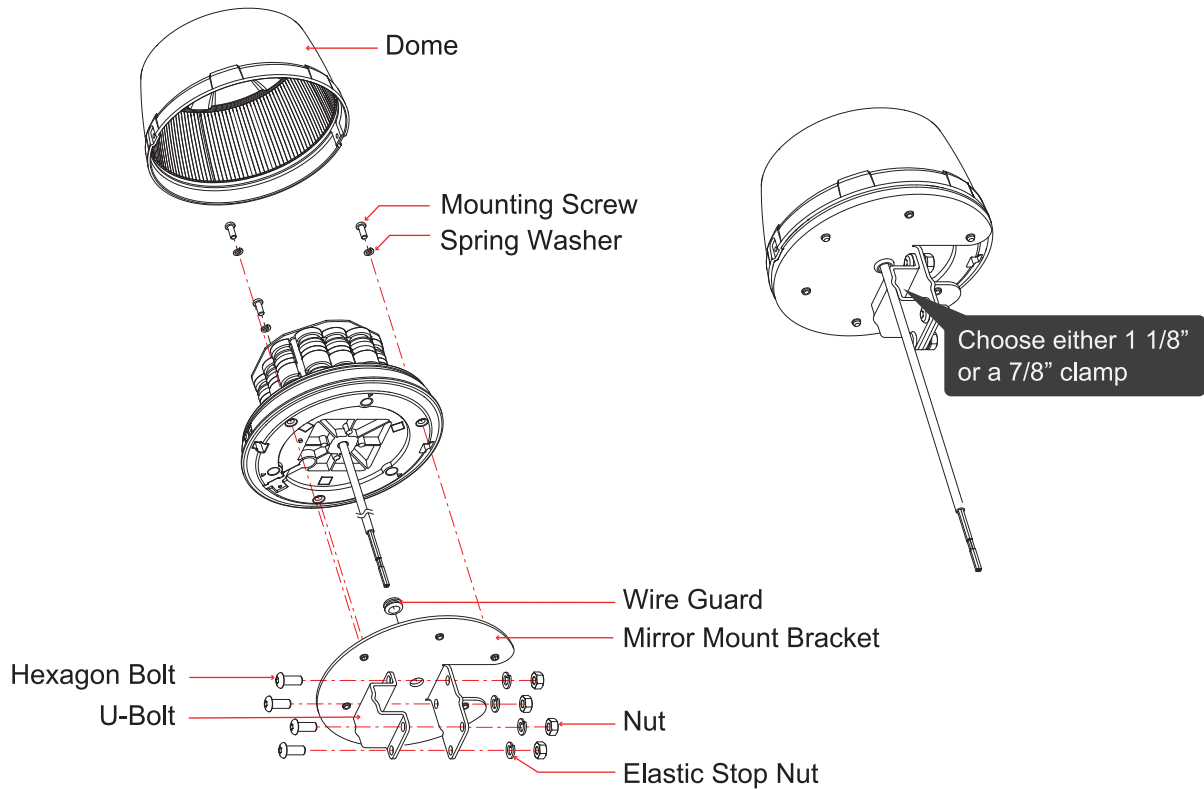
**CAUTION:** Beware of scratching the inner dome surface.



### INSTALLATION

1. Locate 3 assembling holes (130mm or 144mm) on the inside bottom of the beacon base and remove 3 screw hole plugs.
2. Assemble the mirror mount bracket on to the beacon: make wire passage through the wire guard center hole, align the beacon with the bracket and secure it with 3 screws.
3. Secure the beacon assembly on to the mirror using the supplied U-Bolts (Choose either 1 1/8" clamp or a 7/8" clamp) and elastic stop nuts.

## Mirror Mount



### CLOSE

1. Check that the gasket is properly seated around the inner dome.
2. Align the dome with base notch, and carefully place the dome firmly on to the base.
3. Secure the dome with 2 screws on either side. Suggested torque force 6.5~6kgf-cm.

**CAUTION:** The gasket must be properly seated around the inner dome.

