

# S-PAL06 Single or Dual Colour LED Flasher Kit

## POP-A-LIGHT 06



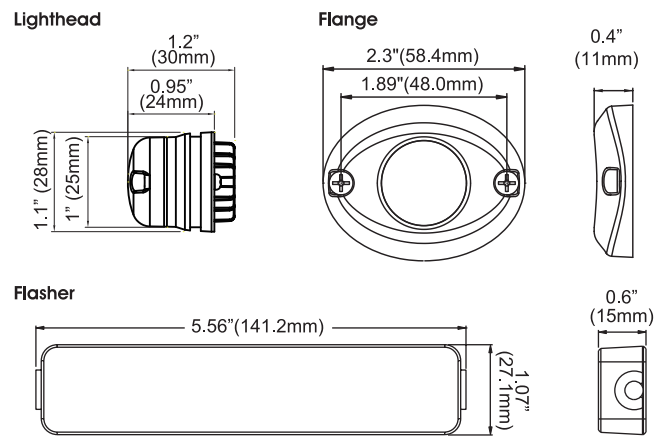
### FEATURES

- Split color capability with independent activation wires.
- Pop-In Design for easier installation.
- Built-in 19 Selectable Flash Patterns.
- LEDs rated to 100,000 hours of operation.
- Non-volatile memory recalls last flash pattern used at power up.
- Multiple units are synchronizable, and can flash simultaneously or alternately.
- Reverse polarity protection.
- Weatherproof and vibration resistant for external or internal use.
- Flange option for surface mount applications.

### SPECIFICATIONS

**Compliance:** ECE R10  
**LED Element:** High intensity LED x 6pcs per head.  
**No. of Warning Patterns:** 19  
**Operates Voltage:** 10-16 VDC  
**Ave. Current:** 0.65A @12VDC (varies with flash pattern)  
**Ave. Power:** 7.8 Watts (varies with flash pattern)  
**Max. Current:** 1.3A @12VDC  
**Max. Power:** 15.6 Watts  
**Function Wires:** Red-Vcc: 185cm / 20AWG  
 Black-GND: 185cm / 20AWG  
 Yellow-Flash Patterns & Sync: 185cm / 20AWG  
 White-Vcc: 185cm / 20AWG  
**Connection Cable:** Output : 85cm / 22AWG  
 Extension : 200cm / 22AWG  
 Lighthouse : 20cm / 22AWG  
**Fuse Rating:** 2A  
**Synchronization:** Up to 15 units

### DIMENSIONS



### PART NO.

■ **F009-011xy-000**  
 (replace x for Head1 colour & y for Head2 colour)  
 A = Amber                      B = Blue  
 R = Red                         W = White  
 D = Blue/Amber              J = Red/Amber  
 K = Amber/White             Q = Red/Blue  
 T = Blue/White               U = Red/White

### FLASH PATTERN

FP#	Flash Patterns		
1	Random (default)	11	Double
2	Single (split)	12	Quad
3	Double (split)	13	Quint
4	Quad (split)	14	Mega
5	Quint (split)	15	Ultra
6	Mega (split)	16	Single-Quad
7	Ultra (split)	17	Single H/L
8	Single-Quad (split)	18	Steady Half
9	Single H/L (split)	19	Steady All
10	Single		