

TITAN LED DASH LIGHT

e13 03 9922

E13 10R02 9916



FEATURES

- Models: TDSE4 - with 4 High Intensity LEDs
TDXL6 - with 6 LEDs with Xtreme optics
- Built-in 19 Selectable Flash Patterns
- Super Compact for Stealth Look
- Lightweight for Easy Mounting
- With Side-by-Side Split Flashing
- Angle Adjustable light output

SPECIFICATIONS

Approvals : SAE, Title XIII, e13, E13

Bulb : 1W LED x 6

Avg. Current : TDXL6: 0.46A @12.8VDC ~ 0.24A @25.6VDC

Avg. Power : TDXL6: 6 Watts (varies with flash pattern)

Max. Current : TDXL6: 0.92A @12.8VDC ~ 0.47A @25.6VDC

Max. Power : TDXL6: 12 (Watts)

Wires : Cigar plug with 3 meter wire length

Operating Temperature : -40°C to +65°C (-40°F to +130°F)

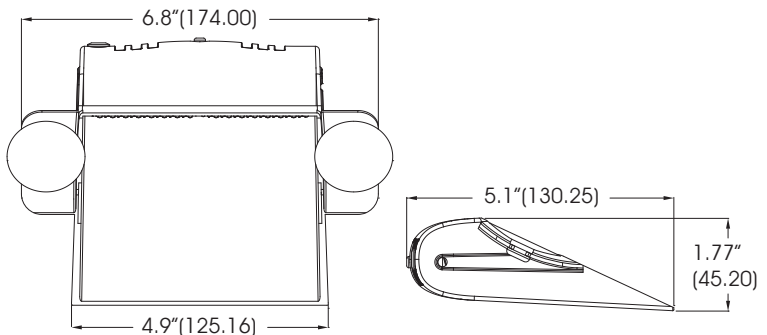
Available in : RED , BLUE , AMBER , WHITE



For adjusting light output angle.

Push button for flash pattern change.

DIMENSIONS



FLASH PATTERN

FP#	Flash Pattern		
1	Random (default)	11	Double (all)
2	Single (split)	12	Quad (all)
3	Double (split)	13	Quint (all)
4	Quad (split)	14	Mega (all)
5	Quint (split)	15	Ultra (all)
6	Mega (split)	16	Single-Quad (all)
7	Ultra (split)	17	Single H/L (all)
8	Single-Quad (split)	18	Steady 2 (california)
9	Single H/L (split)	19	Steady 4 (all)
10	Single (all)		

*SPLIT=side by side alternating

*ALL=all LEDs on