

# WLJ series

12~24VDC

## 3" ROUND LIGHT Single or Dual Colour



### FEATURES

- 390 lm round flood light for small area illumination.
- Waterproof IPX8 rating for both exterior and interior applications.
- Aluminium base for efficient heat dissipation and maximum durability.
- Reverse polarity protection.
- Versatile Mounting in 2-bolt mount, Rubber boot flush mount or adhesive mount

### SPECIFICATIONS

**Compliance:** IPX8

**Operating Voltage:** 12-24VDC

**Beam Type:** Flood

**LED Elements:** Single Colour - High Power LED x 6 pcs  
Dual Colour - High Power LED 3 + 3 pcs

**Lumen:**

	White	Blue	Red
Single Colour Model	390lm Raw	N/A	N/A
	336lm Effective	N/A	N/A
Dual Colour Model	300lm Raw	119.4lm Raw	170.4lm Raw
	250lm Effective	95lm Effective	140lm Effective

**Max. Current:** 0.45A @ 12V ; 0.23A @ 24V

**Max. Power:** 5.4W (Single or Dual Colour)

**Wires:** Red-Vcc1 : 20cm (20AWG)

Black-GND : 20cm (20AWG)

White-Vcc2 : 20cm (20AWG) \*dual model colour only

**Fuse Rating:** 1 A

**Storage Temp. (°C):** -40° ~ +75°

**Working Temp. (°C):** -30° ~ +65°

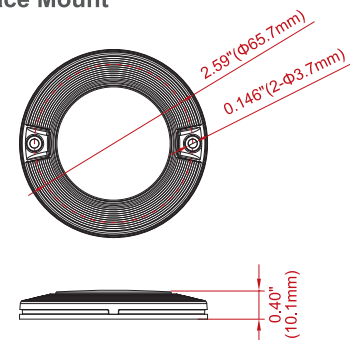
**LED Colour:** White, Blue/White, Red/White

**Lens Colour:** Clear

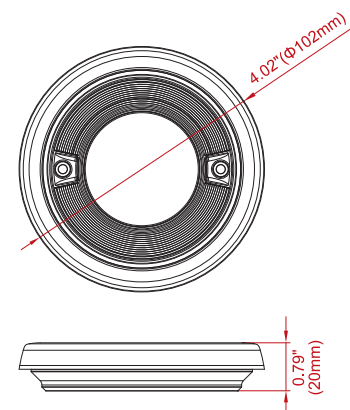
**Warranty:** 3 years

### DIMENSIONS

#### Surface Mount



#### Flush Mount w/ Rubber Grommet



### PART NO.

- **WL0J-0013x-00R** (Single colour, ECE R10)
- **WL0J-0003x-00R** (Single colour)
- **WL0J-1013x-00R** (Dual colour, ECE R10)
- **WL0J-1003x-00R** (Dual colour)

**Note:** W=White R=Red B=Blue  
T=Blue/White U=Red/White

### MOUNTING ACCESSORIES

- **99-WL0JM00-000**  
(Flush Mount Rubber Grommet)

