

# 606 series ROUND LED Work Lamp



## FEATURES

- Flood beam type
- Heavy-Duty Powder Coated Die Cast Aluminum
- Weatherproof and Vibration resistant
- LEDs rated to 50,000 hours of operation
- Reverse Polarity Protection
- Multi-Voltage Input for worldwide use
- Applications: Police, Fire, Ambulance, Tow, Agriculture, Construction, Mining, Off-road, Marine
- Waterproof connector

## SPECIFICATIONS

**Compliance :** EMC, IP68

**LED Element :** High intensity LED x 6pcs

**Raw Lumen :** 4800lm

**LED Current :** 1.8 Amps

**Operating Voltage :** 11-70VDC

**Max. Current (Amps) :** 3.6A @12.8VDC / 1.8A @25.6VDC / 0.8A @60VDC

**Max. Power :** 48 Watts

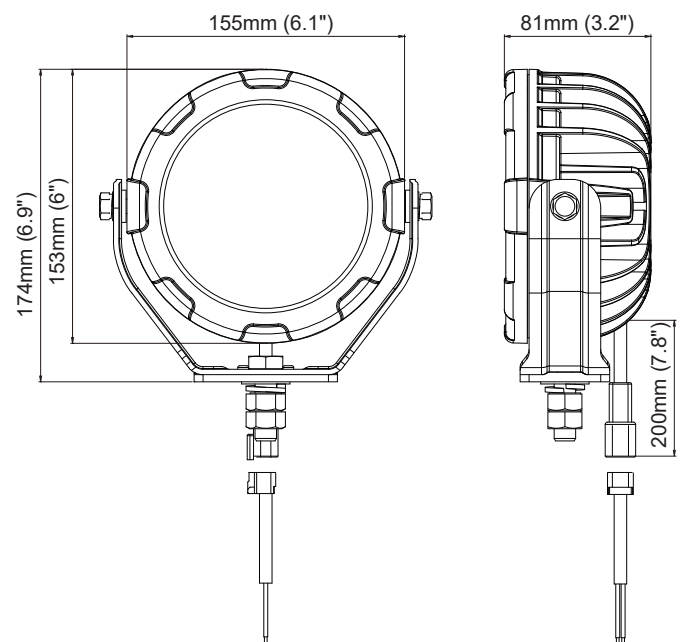
**Wires :** Red-Vcc : 16AWG / 20cm

Black-GND : 16AWG / 20cm

**Extension Wire :** 16AWG / 100cm

**Fuse Rating :** 5 Amps

## DIMENSIONS



## PART NO.

- **07180033** (600 Series, Flood Beam)

# 606 series SQUARE LED Work Lamp



## FEATURES

- Heavy-Duty Powder Coated Die Cast Aluminium
- Weatherproof and Vibration resistant
- LEDs rated to 50,000 hours of operation
- Reverse Polarity Protection
- Multi-Voltage Input for worldwide use
- Applications: Police, Fire, Ambulance, Tow, Agriculture, Construction, Mining, Off-road, Marine
- Waterproof connector
- Available in Flood beams

## SPECIFICATIONS

**Compliance:** EMC, IP68

**Beam Type:** Flood

**LED Element :** High intensity LED x 4pcs

**Raw Lumen :** 3200lm

**LED Current :** 1.8 Amps

**Operating Voltage :** 11-70VDC

**Max. Current (Amps) :** 2.4A @12.8VDC /  
1.2A @25.6VDC /  
0.5A @60VDC

**Max. Power :** 32 Watts

**Wires :** Red-Vcc : 16AWG / 20cm

Black-GND : 16AWG / 20cm

**Extension Wire :** 16AWG / 100cm

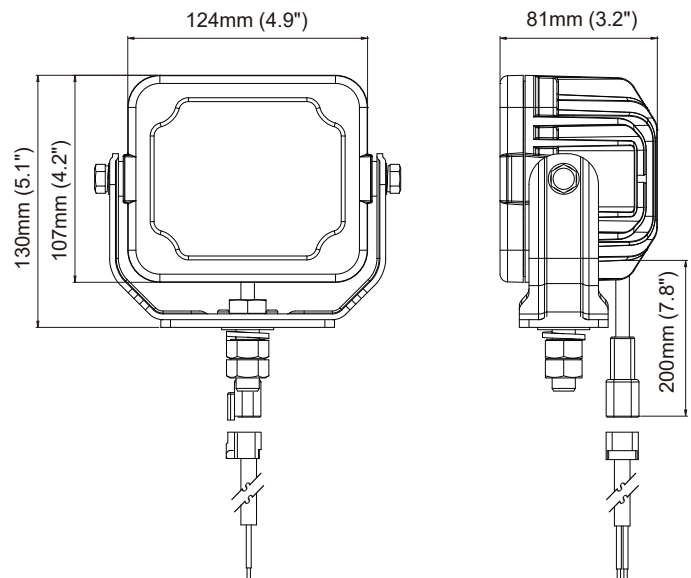
**Fuse Rating:** 5 Amps

**Warranty:** 3 Years

## PART NO.

- **07180026** (600 Series, Flood Beam)

## DIMENSIONS



## BEAM PATTERN

