

B18-DUAL

Dual Colour LED Beacon



FEATURES

- Dual Colour design for various application and fields.
- Each warning colour may select its distinct flash pattern.
- Newly-designed optic with powerful ECE R65 Class 2 (or Class 1 Amber) and even light output.
- Available with optional Tall Base to suit your vehicles.
- Multi-Voltage Input 12~24VDC.
- Non-volatile memory recalls last flash pattern used at power up.
- Reverse polarity protection.
- Weatherproof and vibration resistant design.

SPECIFICATIONS

Compliance: ECE R65 Class 2 (Blue / Red);
ECE R65 Class 1 (Amber);
ECE R10;
SAE J845 Class 1; IPX5

Operating Voltage: 12~24VDC

No. of Warning Patterns: 16

LED Element: High Power LED x 30 pcs

Lens Colour: Clear

Avg. Current: 1.67A@12VDC / 0.84A@24VDC
(varies with flash pattern)

Max. Current: 3.34A@12VDC / 1.67A@24VDC

Avg. Power: 20.05W
(varies with flash pattern)

Max. Power: 40.1W

Wires: **Magnetic Mount**

- Dual button cigar-plug: 300cm (20AWG)

Permanent Mount

- Red- Warning Mode 1: 40cm (18AWG)
- Yellow- Warning Mode 2: 40cm (18AWG)
- Black- Ground: 40cm (18AWG)
- White- Low Power Dim : 40cm (18AWG)

Synchronization: N/A

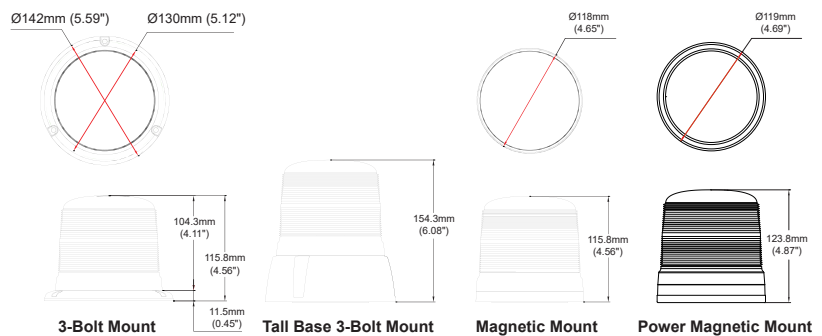
Fuse Rating: 5A

Storage Temp.: -40°C to +75°C

Operating Temp.: -30°C to +65°C

Warranty: 3 Years

DIMENSIONS



PART NO.

■ **B018-43x3y-00R** (ECE R65 Class 2 or Class 1)

■ **B018-63x3y-00R** (SAE)

x: refer to Mounting options

- 1 = 3-Bolt Mount (Standard Base)
- 5 = Magnetic Mount w/ 2-Button Cigar Plug * (Standard Base)
- 6 = 3-Bolt Mount (Tall Base)
- 9 = Magnetic Mount w/ 2-Button Cigar-Plug * (Tall Base)
- B = Power Magnetic Mount w/ 2-Button Cigar-Plug * (Standard Base)
- * on Special Order

y: refer to Colour options

- H = Amber/Blue Led & Clear Lens
- F = Amber/Red Led & Clear Lens
- K = Amer/White Led & Clear Lens
- Q = Red/Blue Led & Clear Lens
- L = White/Blue Led & Clear Lens

FLASH PATTERN

| FLASH PATTERNS | | | | | |
|----------------|--------|-------------|----|---------------------|-------|
| 1 | Double | [R65] | 9 | Triple | [SAE] |
| 2 | Single | [2HZ] | 10 | Quad | [SAE] |
| 3 | Triple | [2HZ] | 11 | Quint | [SAE] |
| 4 | Quad | [2HZ] | 12 | Mega | |
| 5 | Random | | 13 | Ultra | [SAE] |
| 6 | Steady | | 14 | Single-Quad | |
| 7 | Single | [SAE, CA13] | 15 | Single H/L | |
| 8 | Double | [SAE] | 16 | Single-Triple-Quint | |

ACCESSORIES

05190447

B18 Branch Guard (*For use w/ standard base only)

