

DUAL COLOUR LED BEACON

WIRING / OPERATION

Permanent Mount:

- BLACK:** To -Chassis Ground
RED: To +VDC (fuse@5A) for Warning Mode in COLOUR1
YELLOW: To +VDC (fuse@5A) for Warning Mode in COLOUR2
(RED + YELLOW): To +VDC (fuse@5A) for Warning Mode in COLOUR1 alt. 2
WHITE: [+] for Low Power Operation
 Activate dimming function by continuously applying +VDC to WHITE wire.

Magnetic Mount:

NOTE: Magnetic Mount model does not feature Low Power dimming function.

BUTTON 1 - Maintained Switch:

- Position 1** - ON (Warning Mode in COLOUR1)
Position 2 - OFF

BUTTON 2 - Momentary Switch:

- Press 1** - Warning Mode in COLOUR2.
Press 1 again - Warning Mode in COLOUR1 alt. 2
Press quick 3 times - Warning Mode in COLOUR1

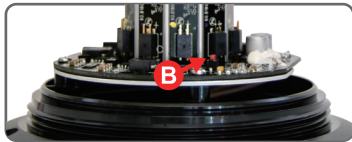
FLASH PATTERN SELECTION

1. Open

Twist the dome lens counter clockwise **A**, then lift the dome lens to open.

2. Change

While activating Warning Mode, momentarily push the RED BUTTON **B** to change to the next flash pattern. (see Flash Patterns Chart)



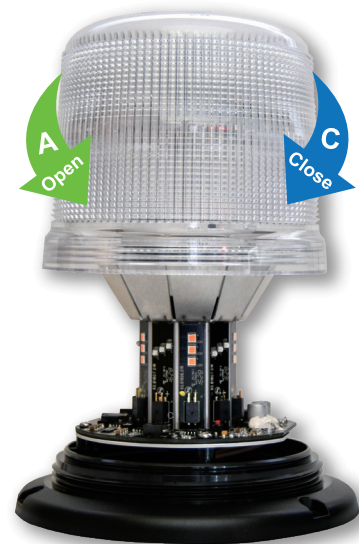
Note: All COLOUR1, COLOUR2 and COLOUR1 alt. 2 warning modes may select different Flash Pattern.

3. Close

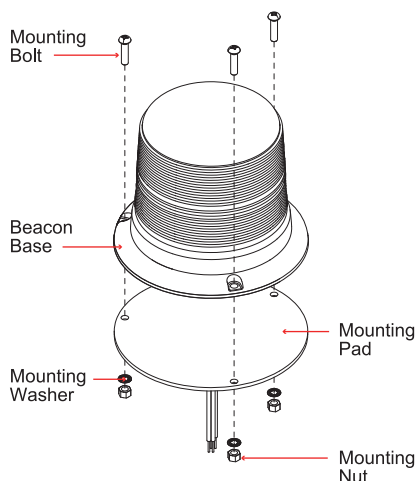
Twist and tighten the dome lens clockwise **C** to close.

FLASH PATTERNS		
1	Double	[R65]
2	Single	[2HZ]
3	Triple	[2HZ]
4	Quad	[2HZ]
5	Random	
6	Steady	
7	Single	[SAE, CA13]
8	Double	[SAE]
9	Triple	[SAE]
10	Quad	[SAE]
11	Quint	[SAE]
12	Mega	
13	Ultra	[SAE]
14	Single-Quad	
15	Single H/L	
16	Single-Triple-Quint	

Note: i. This unit may not be factory-set at FP#1
 ii. Actual approval base on the model ordered.

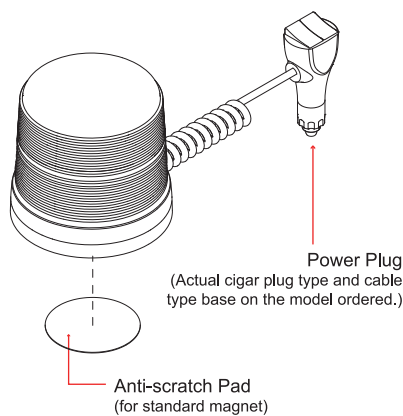


3 Bolt Mount



1. Drill holes on the mounting surface for the wire-exit and mounting bolts.
2. Secure the beacon onto the mounting surface with mounting bolts.

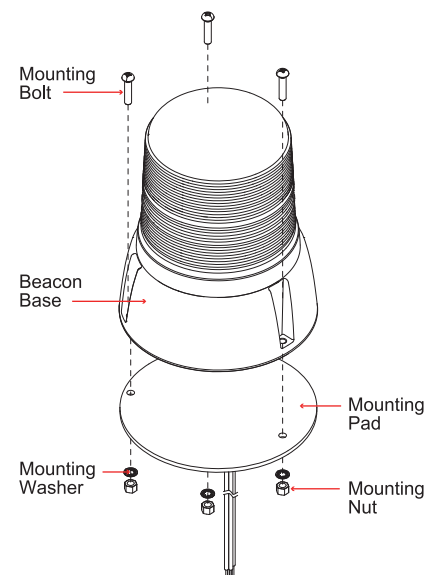
Magnetic Mount



WARNING :

It is not recommended to use magnetically mounted warning devices on outside of vehicle in motion.
 Usage is at the sole risk and responsibility of the user.

Tall Base 3 Bolt Mount



Note: All diagrams may not show to scale.