

# JB130+

## LED BEACON



### FEATURES

- SAE Class 2 Amber / SAE Class 3 Red Compliance
- Multi-Voltage / High Voltage Input 11~110VDC.
- Long life LEDs rated to 100,000 hours of operation.
- Non-volatile memory recalls last flash pattern used at power up.
- Reverse polarity protection.
- Weatherproof and vibration resistant design.

### SPECIFICATIONS

**Approvals:** ECE R10; SAE J845

(Class 2 Amber / Class 3 Red)

**Operating Voltage:** 11~110VDC

**Warning Patterns:** 5 Flash Patterns

**Bulb:** 1W LED x 3 pcs

**Avg. Current:** 0.2A@12.8VDC / 0.07A@110VDC

**Avg. Power:** 2.56WATTS@12.8VDC /

7.7WATTS@110VDC

**Max. Current:** 0.47A

**Wires: Magnetic Mount**

- Single button cigar-plug: 300cm (22AWG)

**Permanent Mount**

- Red-Vcc : 40cm (18AWG)
- Black-GND: 40cm (18AWG)

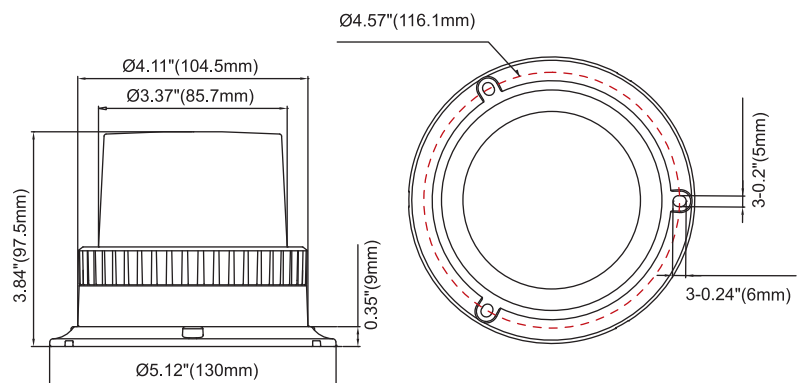
**Fuse Recommended:** 1A

**Storage Temperature:** -40°C to +75°C

**Operating Temperature:** -30°C to +65°C

**Warranty:** 3 years

### DIMENSIONS



### PART NO.

- **B012-1x1B1-00R** SAE Class 2, AMBER LED, AMBER LENS
- **B012-1x2B1-00R** ECE R10, AMBER LED, AMBER LENS
- **B012-1x1B4-00R** SAE Class 2, RED LED, RED LENS
- **B012-1x3B4-00R** SAE Class 3, RED LED, RED LENS
- **B012-1x2B4-00R** ECE R10, RED LED, RED LENS

Mounting - replace **x** with the following:

0 = 3-BOLT MOUNT

1 = MAGNETIC MOUNT (Coiled cord with cigar-plug)

### FLASH PATTERN

FLASH PATTERNS			
1	8 Flash	4	Triple
2	Single	5	Quad
3	Double		