

# B14 CRUISE

## R65 LED BEACON



### FEATURES

- Multi-Voltage Input 12~24VDC.
- LEDs rated to 100,000 hours of operation.
- Non-volatile memory recalls last flash pattern used at power up.
- Multiple units are synchronizable and can flash simultaneously or alternately.
- Reverse polarity protection.
- Weatherproof and vibration resistant design for external or internal use.

### SPECIFICATIONS

**Compliance:** ECE R65(TB1); ECE-R10;  
SAE J845; CA13; IPX5

**Operating Voltage:** 12~24VDC

**Warning Patterns:** 14 Flash Patterns

**LED Elements:** 3W LED x 10pcs

**Avg. Current:** 1.7A @12.8VDC / 0.88A @24VDC  
(varies with flash pattern)

**Avg. Power:** 21 W (varies with flash pattern)

**Max. Current:** 3.3A @12.8VDC / 1.75A @24VDC

**Max. Power:** 42 W

**Wires:**

#### Permanent Mount

- Red-Vcc : 40cm /15.74in (20AWG)
- Black-GND: 40cm /15.74in (20AWG)
- Yellow-Flash Patterns & Sync: 40cm /15.74in (20AWG)
- White-Phase: 40cm /15.74in (20AWG)

**Recommended Fuse :** 5A

**Multi-Unit Synchronization:** Up to 4 units

**Storage Temperature:** -40°C to +75°C

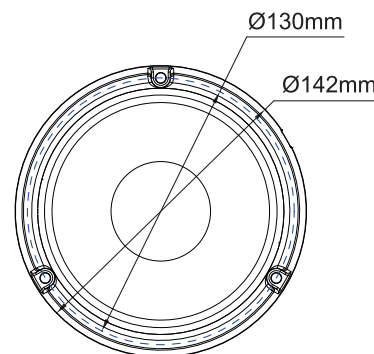
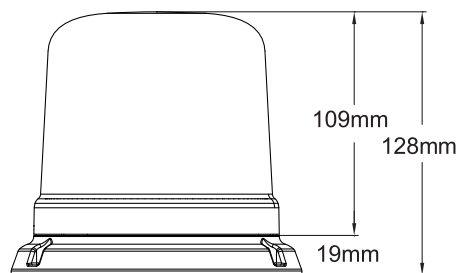
**Operating Temperature:** -30°C to +65°C

**LED Colour:** Blue

**Lens Colour:** Blue, Clear

**Warranty:** 5 Years

### DIMENSIONS



### PART NO.

- 05190461 (3-Bolt Mount - Blue LEDs, Blue Lens)
- 05190478 (3-Bolt Mount - Blue LEDs, Clear Lens)

### FLASH PATTERN

FP#	FLASH PATTERNS	FP#	FLASH PATTERNS
1	Double [R65]	8	Mega
2	Single [2Hz]	9	Ultra [SAE]
3	Quad [2Hz]	10	Single-Quad
4	Single [SAE, CA13]	11	Single H/L
5	Double [SAE]	12	Single Column Rotator
6	Quad [SAE]	13	Double Column Rotator
7	Quint [SAE]	14	Double Column Rotator - Quint