

SDF104H

100W Siren Amplifier

12-Button Handheld Controller

12-24VDC



FEATURES

- 100W siren amplifier for single speaker (110hm) setup.
- Class D amplifier for low amp draw and clean tone.
- 12-24VDC multi-voltage.
- Siren Interlock function that disables siren activation without primary warning.
- 4 x 5A relay output switch.
- 22 selectable tone cycles comprised of international and European tones.
- Positive input for Horn Ring Transfer.
- Radio Re-Broadcasting (RRB) and PA function.
- 12-button handheld controller with built-in microphone.
- Compact design with aluminium chassis.
- Programmable Code 1/2/3 buttons, momentary/maintained/timer switch, siren volume, tone.
- Reverse Polarity Protection.

SPECIFICATIONS

Compliance: SAE J1849 EVS1; CA13; ECE R10 ; CISPR 25

Input Voltage: 12-24 VDC

Standby Current: 0 mA (w/o IGN wire) / 0.35 A (w/ IGN wire)

Avg. Current: 8.5A @ 12VDC / 4A @ 24VDC

Max. Current:

10A @ 12VDC / 5A @ 24VDC (w/o light control outputs)
30A @ 12VDC / 25A @ 24VDC (w/ light control outputs)

Siren Output Power: 100W

Siren Output Load: 100W-ACR 11Ω

Siren Frequency:

761Hz - 1592Hz (WAIL/YELP/PHASER);
362Hz - 733 Hz (HI/LO)

Operating Temp: -30°C to 65°C

I/O: ■ +VDC, ■ -GND, ■ Speaker Output+-,
■ IGN(Ignition), ■ SW1~SW4, ■ Horn Ring Transfer Input,
■ Radio Audio Input +-,

Siren Controls:

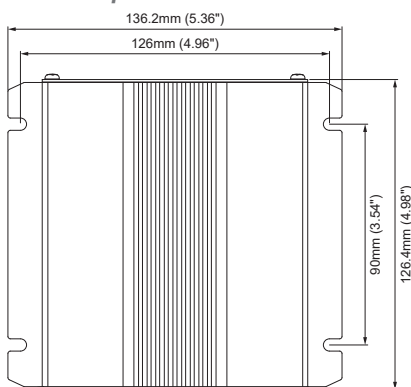
5 ON/OFF push-buttons (SIREN, RADIO, Code 1, Code 2, Code 3)
3 Momentary push-buttons (PTT, MAN, HORN)
4 Momentary/Maintained/Timer push-buttons (SW1, SW2, SW3, SW4)
SW1 may be set to interlock SW2, SW3, SW4 and Siren
IGN (Ignition) Input Connection
HORN Input Connection

Light Controls: 4 lighted push-button switches with replaceable legends.

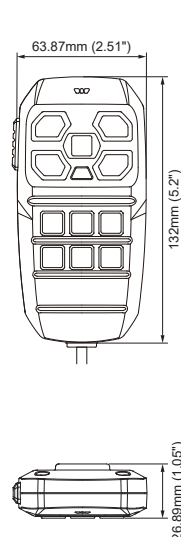
Light Output Ratings: Built-in 5A fuse on each of the 4 outputs.

DIMENSIONS

Siren Amplifier



12-Button Handheld Controller



SELECTABLE TONE CYCLE

#	COUNTRY	STONE	FREQUENCY(Hz)	CYCLE/MINUTE
1 (SAE default)	INTERNATIONAL	STANDARD	761-1592	WAIL 12 C/M
			761-1592	YELP 158 C/M
2	INTERNATIONAL	STANDARD	761-1592	YELP 158 C/M
			761-1592	PHASER 886 C/M
3	INTERNATIONAL	STANDARD	761-1592	PHASER 886 C/M
			450-598	HILO 40 C/M
4	INTERNATIONAL	STANDARD	450-598	HILO 40 C/M
			761-1592	PHASER 886 C/M
5	INTERNATIONAL	STANDARD	761-1592	WAIL 12 C/M
			761-1592	YELP 158 C/M
6 (ECE default)	INTERNATIONAL	STANDARD	761-1592	WAIL 12 C/M
			761-1592	YELP 158 C/M
7	INTERNATIONAL	STANDARD	450-598	HILO 40 C/M
			761-1592	PHASER 886 C/M
8	FRANCE	GENDARMERIE	435-733	HILO 55 C/M
9	FRANCE	POLICE	435-580	HILO 55 C/M
10	FRANCE	AMBULANCE	421-516-421	HILO 30 C/M
11	FRANCE	POMPIERS	435-488	HILO 27 C/M
12	FRANCE	UMH	435-649	HILO 55 C/M
13	GERMANY	STADT LAND	432-575	HILO 40 C/M
			362-484	HILO 40 C/M
14	AUSTRIA	POLICE	432-575-432-575- 432-575-432-575	HILO 25 C/M
15	AUSTRIA	AMBULANCE	524-393-524-393	HILO 17 C/M
16	AUSTRIA	FIREBRIGADE	393-524-393-524	HILO 17 C/M
17	AUSTRIA	MAGISTRATE	524-393-524	HILO 18 C/M
18	ITALY	POLICE	466-620	HILO 40 C/M
19	ITALY	AMBULANCE	392-659-392-659	HILO 40 C/M
20	ITALY	AMBULANCE 2	761-1592	WAIL 12 C/M
			761-1592	YELP 158 C/M
			392-659-392-659	HILO 40 C/M
21	NETHERLANDS	POLICE	373-500	HILO 33 C/M
22	NETHERLANDS	POLICE 2	373-500	HILO 33 C/M

PART NO.

- S008-11031-000 (ECE R10)
- S008-21031-000 (SAE EVS1)

COMPATIBLE SPEAKER

- JS100-C1 Compact Siren Speaker

