

MICRO-BAR-EXDTM

12~24VDC

Dual Colour 


FEATURES

- **Dual Colour** lightbar with ECE R65 (TA1/TB2) approved.
- Quad memory capability (4-wire cable models only).
- Built-in selectable 26 flash patterns and 5 colour modes.
- Multi-Voltage Input 12~24VDC.
- Each unit comes with 6 lighthead (12 LEDs/head).
- Non-volatile memory recalls last flash pattern used at power up.
- Available with permanent 1 or 4 bolt mounting options.
- Weatherproof and vibration resistant design for all environment usage.
- Reverse polarity protection.
- Multi-units synchronization in simultaneous or alternating flash.

SPECIFICATIONS

Compliance: SAE; ECE R65 (TA1, TB2); ECE R10

LED: High Power LED x 72pcs

Warning Patterns: 26 Flash Patterns

Operating Voltage: 12~24 VDC

Avg. Current: 3A @12VDC / 1.5A @24VDC
(varies with flash pattern)

Avg. Power: 36W (varies with flash pattern)

Max. Current: 6A @12VDC / 3A @24VDC

Max. Power: 72W

Wires: Magnetic Mount

- Dual button cigar-plug: 300cm

Permanent Mount

- Red-Vcc: 30cm (16AWG)
- Black-GND: 30cm (16AWG)
- White-Memory, Low Power Operation: 30cm (20AWG)
- Yellow-Flash Patterns, Colour & Sync: 30cm (20AWG)

Fuse Recommended: 9A

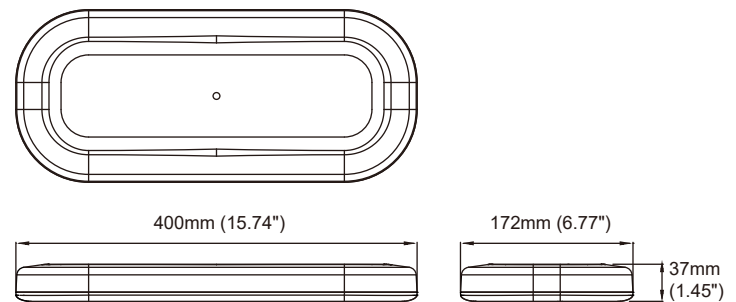
Multi-Unit Synchronisation: Over 15 units

LED Colour: Amber / Blue

Lens Colour: Clear



DIMENSIONS



PART NO.

- **06250072** (1-Bolt Mount)
- **06250058** (4-Bolt Mount)

FLASH PATTERN

FP#	Flash Pattern				
1	Double	[R65]*	14	Mega	(Split)
2	Single	[2Hz]	15	Ultra	(Split)
3	Triple	[2Hz]	16	Single-Quad	(Split)
4	Quad	[2Hz]	17	Single H/L	(Split)
5	Random		18	Single	[CA13][SAE]
6	Steady / Cruise		19	Double	[SAE]
7	Steady EF **		20	Quad	[SAE]
8	Rotating Slow		21	Quint	[SAE]
9	Rotating Fast		22	Giga	
10	Single	(Split)	23	Ultra	[SAE]
11	Double	(Split)	24	Single-Quad	
12	Quad	(Split)	25	Single H/L	
13	Quint	(Split)	26	Steady 2	(Half)

(Split) = Left-half alternating Right-half.

* Actual approval will be based on the model purchased.

** For use with external flash controller.