

ELFIN

PUCK BEACON

ECE R65 LED BEACON



FEATURES

- Ultra-compact and low-profile design for discreet placement or limited installation space.
- Certified powerful ECE R65 TA1 performance provides optimum 360 degree signal coverage.
- Durable polycarbonate lens is available in Amber or Clear.
- Weatherproof design: 100% sealed rated at IPX7.
- Vibration resistant design with aluminum base.
- Multiple units can be grouped to flash simultaneously or alternately.
- Multiple mounting options for all vehicle applications.
- 50,000 hours rated Long-Life LEDs.

SPECIFICATIONS

Compliance: ECE R65 (TA1); ECE R10;
SAE J845 Class 1; IPX7

Operating Voltage: 12~24VDC

No. of Warning Pattern: 12 Flash Patterns

LED Element: 16 pcs

Avg. Current: 1.25A @12VDC ; 0.63A @24VDC
(varies by flash patterns)

Max. Current: 2.5A @12VDC ; 1.25A @24VDC

Avg. Power: 15W (varies by flash patterns)

Max. Power: 30W

Wire: Red – Warning Mode

Black – GND

White – Flash Pattern Selection / Sync

Red+Black+White – Cruise Mode

Cable Length: 40cm (0.8mm²)

Fuse Rating: 3A

Synchronization: Up to 10 pcs

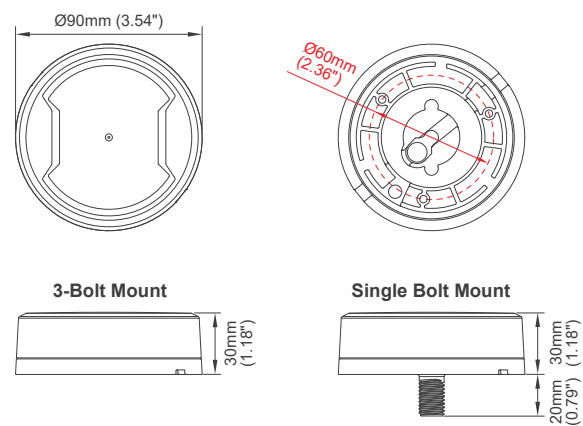
Storage Temp.: -40°C to +75°C

Operating Temp.: -30°C to +65°C

LED Colour: Amber

Lens Colour: Amber or Clear

DIMENSIONS



PART NO.

- **05150052** (3-Bolt Mount - AA)
- **05150069** (3-Bolt Mount - AC)
- **05150076** (1-Bolt Mount - AA)
- **05150083** (1-Bolt Mount - AC)

FLASH PATTERN

FLASH PATTERNS					
1	Double	[R65]	7	Quad	[SAE]
2	Single	[2Hz]	8	Quint	[SAE]
3	Quad	[2Hz]	9	Mega	
4	Steady Scene		10	Ultra	[SAE]
5	Single	[SAE]	11	Single-Quad	
6	Double	[SAE]	12	Single H/L	

*Actual approval will be based on the model ordered.