

# KUIPER FIT

12~24VDC

## Low Profile Lightbar



### FEATURES

- Sleek, low profile design with powerful 360° warning coverage.
- SAE J845 Class 1 and ECE R65 Class1 approved.
- Meet your budget and performance needs.
- Optional ICS (Illuminated Center Section).
- 58.5mm (2.3") height, 215mm (8.46") width.
- Available in 42.3", 48.1", 53.9", 59.7" length.
- Available in Red, Blue, Amber, Clear UV-resistant dome.
- Multi-Voltage Input 12-24VDC with EMC Compliance.
- Easy maintenance and lighthouse replacement.
- Extruded aluminum base for best rigidity and heat dissipation.
- 3 year warranty.

### SPECIFICATIONS

**Compliance:** ECE R65 Class I (TA1/TB1), SAE J845 Class 1, CA Title 13, ECE R10, CISPR25

**NOTE:** actual approvals may vary; based on actual lightbar configuration.

**Operating Voltage:** 12~24 VDC

#### Wire Functions:

- RED- Warning Mode (12AWG)
- BLACK- GND (12AWG)
- WHITE- ICS (20AWG)
- YELLOW- Flash Pattern Selection (20AWG)

#### Colour Option:

- LED Color (Single): Red, Blue, Amber, White
- Lens Color: Clear, Red, Blue, Amber, Semi-opaque White (ICS)

**Lightbar Cable Length:** 3040mm +/- 50mm

#### LED:

Lighthouse	LED Qty
Corner Lighthouse	3+3
ICS	6
Middle Lighthouse (Short)*	3
Middle Lighthouse (Standard)*	6

**NOTE:** Maximum number of middle lighthouse will be 4pcs.

### CURRENT

Lighthouse	@12.8VDC		@25.6VDC	
	Max. Current (A)	Avg. Current (A)	Max. Current (A)	Avg. Current (A)
Corner Lighthouse	0.74 / Corner	0.37 / Corner	0.38 / Corner	0.14 / Corner
Middle Lighthouse (Short)	0.37 / Each	0.18 / Each	0.18 / Each	0.09 / Each
Middle Lighthouse (Standard)	0.78 / Each	0.39 / Each	0.39 / Each	0.19 / Each
ICS	0.33 / Each	0.31 / Each	0.19 / Each	0.18 / Each

**NOTE:** Please calculate the total current rating and power base on your lightbar configuration.

### POWER

Lighthouse	@12.8VDC		@25.6VDC	
	Max. Power (W)	Avg. Power (W)	Max. Power (W)	Avg. Power (W)
Corner Lighthouse	9.47 / Corner	4.74 / Corner	9.73 / Corner	3.58 / Corner
Middle Lighthouse (Short)	4.74 / Each	2.30 / Each	4.61 / Each	2.30 / Each
Middle Lighthouse (Standard)	9.98 / Each	4.99 / Each	9.98 / Each	4.86 / Each
ICS	4.22 / Each	3.97 / Each	4.86 / Each	4.61 / Each

### SUGGESTED FUSE RATING

Lighthouse	@12.8VDC	@25.6VDC
Corner Lighthouse	1.00A / Corner	0.51A / Corner
Middle Lighthouse (Short)	0.50A / Each	0.24A / Each
Middle Lighthouse (Standard)	1.05A / Each	0.53A / Each
ICS	0.45A / Each	0.26A / Each

**NOTE:** Please calculate the total current rating and power base on your lightbar configuration.

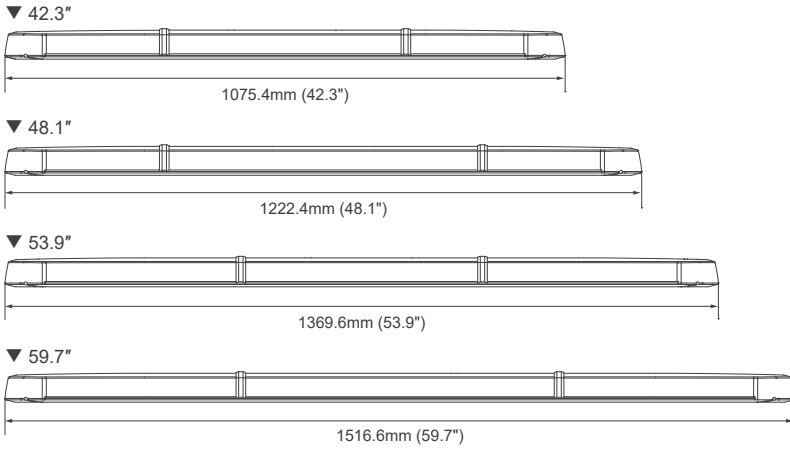
### FLASH PATTERN

Flash Pattern Chart					
1	Double [2Hz]	All	17	Double [2Hz]	Split
2	Quad [2Hz]	All	18	Quad [2Hz]	Split
3	Single [2Hz]	All	19	Single [2Hz]	Split
4	Double (Corners) [2Hz]	All	20	Double (Corners) [2Hz]	Split
5	Quad (Corners) [2Hz]	All	21	Quad (Corners) [2Hz]	Split
6	Single (Corners) [2Hz]	All	22	Single (Corners) [2Hz]	Split
7	Random	All	23	Random	Split
8	Single	All	24	Single	Split
9	Double	All	25	Double	Split
10	Quad	All	26	Quad	Split
11	Quint	All	27	Quint	Split
12	Mega	All	28	Mega	Split
13	Ultra	All	29	Ultra	Split
14	Cruise	All	30	Single-Quad	Split
15	Single-Quad	All	31	Single H/L	Split
16	Single H/L	All			

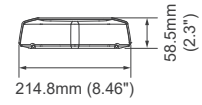
**NOTE:** Actual approval is based on the model ordered.

## DIMENSIONS

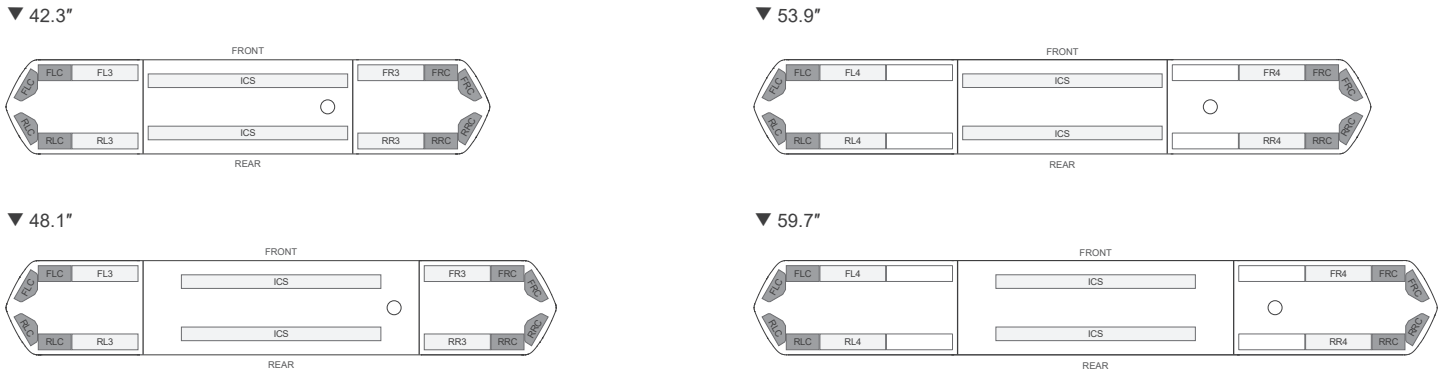
### Available Model Length:



### Height & Width :



## LAYOUT



**NOTE:** Models shown above are default layouts. For customised lighthouse configuration, contact your sales representative.

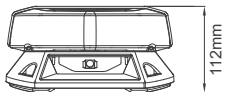
○ -Cable-Exit

## MOUNTING OPTIONS & ACCESSORY

### 06490515

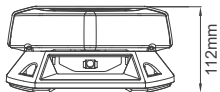
Standard Feet Type B  
(w/ Strap Kit Plate)\*

\*For custom strap kit, contact your sales representative.



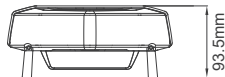
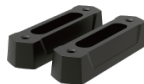
### 06490522

Standard Feet Type B  
(w/o Strap Kit Plate)



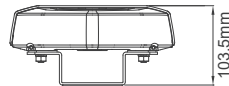
### 06490539

35mm Rubber Mounting Feet



### 06300166

Flat Surface Mount Brackets-Narrow



### 06300432

Flat Surface Mount Brackets-Wide

