



12~24VDC

Low Profile Lightbar



FEATURES

- Sleek, low profile design with powerful 360° warning coverage.
- SAE J845 Class 1 and ECE R65 Class1 approved.
- Optional alley light, take down, STT and ICS.
- 58.5mm (2.3") height, 214.8mm (8.46") width.
- Available in 42.3", 48.1", 53.9", 59.7" length.
- Available in Red, Blue, Amber, Clear UV-resistant dome.
- Multi-Voltage Input 12-24VDC with EMC Compliance.
- Easy maintenance and lighthouse replacement.
- Extruded aluminum base for best rigidity and heat dissipation.
- 3 year warranty.

SPECIFICATIONS

Compliance: ECE R65 Class I (TA1/TB1), SAE J845 Class 1, CA Title 13, ECE R10, CISPR25, ECE R6/R7 (2a, R1-S1, STT lighthouse)

NOTE: actual approvals may vary; based on actual lightbar configuration.

Operating Voltage: 12~24VDC

Wire Functions:

Option 1: 6 Wire Cable (w/o AL, TD, STT, ICS)
 RED- +VDC (@14AWG)
 BLACK- GND (@14AWG)
 Function wires X4 (@22AWG)

Option 2: 10 Wire Cable (Optional AL, TD, STT, ICS)
 RED- +VDC (@14AWG) J
 BLACK- GND (@14AWG)
 Function wires X8 (@22AWG)

Colour Option:

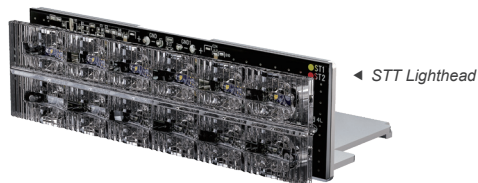
LED Colour (Single): Red, Blue, Amber, White, Amber/Red (STT)
 Lens Colour: Clear, Red, Blue, Amber, Semi-opaque White (ICS)

Lightbar Cable Length: 3040mm +/- 50mm

LED:

Lighthouse	LED Qty
Corner Lighthouse	3+3
ICS	6
Middle Lighthouse (Short)*	3
Middle Lighthouse (Standard)*	6
Alley	3
STT	6 (Amber)+6 (Red)
TD	3

NOTE: Maximum number of Standard middle lighthouse will be 12pcs.



CURRENT

Lighthouse	@12.8VDC		@25.6VDC	
	Max. Current (A)	Avg. Current (A)	Max. Current (A)	Avg. Current (A)
Corner Lighthouse	0.74 / Corner	0.37 / Corner	0.38 / Corner	0.14 / Corner
Middle Lighthouse (Short)	0.37 / Each	0.18 / Each	0.18 / Each	0.09 / Each
Middle Lighthouse (Standard)	0.78 / Each	0.39 / Each	0.39 / Each	0.19 / Each
ICS	0.33 / Each	0.31 / Each	0.19 / Each	0.18 / Each
Alley	0.26 / Each	0.24 / Each	0.13 / Each	0.12 / Each
TD	0.37 / Each	0.35 / Each	0.19 / Each	0.18 / Each
STT	0.34 / Each	0.32 / Each	0.17 / Each	0.16 / Each

NOTE: Please calculate the total current rating and power base on your lightbar configuration.

POWER

Lighthouse	@12.8VDC		@25.6VDC	
	Max. Power (W)	Avg. Power (W)	Max. Power (W)	Avg. Power (W)
Corner Lighthouse	9.47 / Corner	4.74 / Corner	9.73 / Corner	3.58 / Corner
Middle Lighthouse (Short)	4.74 / Each	2.30 / Each	4.61 / Each	2.30 / Each
Middle Lighthouse (Standard)	9.98 / Each	4.99 / Each	9.98 / Each	4.86 / Each
ICS	4.22 / Each	3.97 / Each	4.86 / Each	4.61 / Each
Alley	3.33 / Each	3.07 / Each	3.33 / Each	3.07 / Each
TD	4.74 / Each	4.48 / Each	4.86 / Each	4.61 / Each
STT	4.35 / Each	4.10 / Each	4.35 / Each	4.10 / Each

SUGGESTED FUSE RATING

Lighthouse	@12.8VDC	@25.6VDC
Corner Lighthouse	1.00A / Corner	0.51A / Corner
Middle Lighthouse (Short)	0.50A / Each	0.24A / Each
Middle Lighthouse (Standard)	1.05A / Each	0.53A / Each
ICS	0.45A / Each	0.26A / Each
Alley	0.35A / Each	0.18A / Each
TD	0.50A / Each	0.26A / Each
STT	0.46A / Each	0.23A / Each

NOTE: Please calculate the total current rating and power base on your lightbar configuration.

FLASH PATTERN

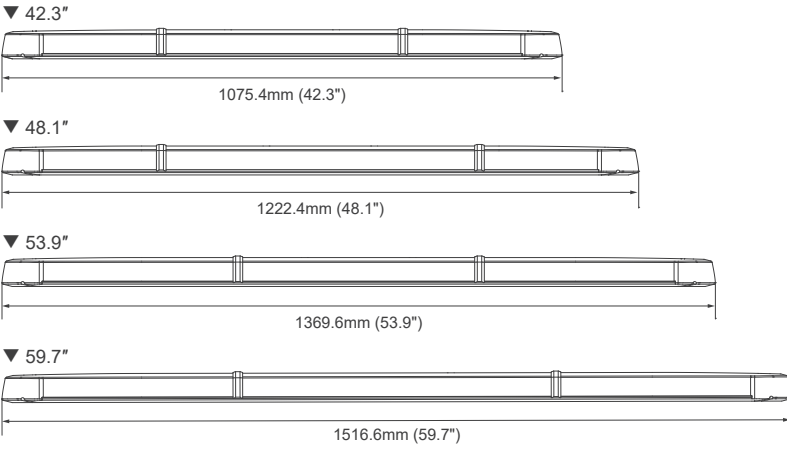
Flash Pattern Chart					
1	Double [2Hz]	All	19	Side-by-Side Ultra	NA
2	Quad [2Hz]	All	20	Rotator1(fast)	NA
3	Single [2Hz]	All	21	Rotator2(slow)	NA
4	Double (Corners) [2Hz]	All	22	Double [2Hz]	Split
5	Quad (Corners) [2Hz]	All	23	Quad [2Hz]	Split
6	Single (Corners) [2Hz]	All	24	Single [2Hz]	Split
7	Random	All	25	Double (Corners) [2Hz]	Split
8	Single	All	26	Quad (Corners) [2Hz]	Split
9	Double	All	27	Single (Corners) [2Hz]	Split
10	Quad	All	28	Random	Split
11	Quint	All	29	Single	Split
12	Mega	All	30	Double	Split
13	Ultra	All	31	Quad	Split
14	Cruise (Corners)	All	32	Quint	Split
15	Cruise	All	33	Mega	Split
16	Single-Quad	All	34	Ultra	Split
17	Single H/L	All	35	Single-Quad	Split
18	Side-by-Side Single	NA	36	Single H/L	Split

NOTE: Actual approval is based on the model ordered.

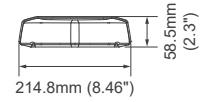


DIMENSIONS

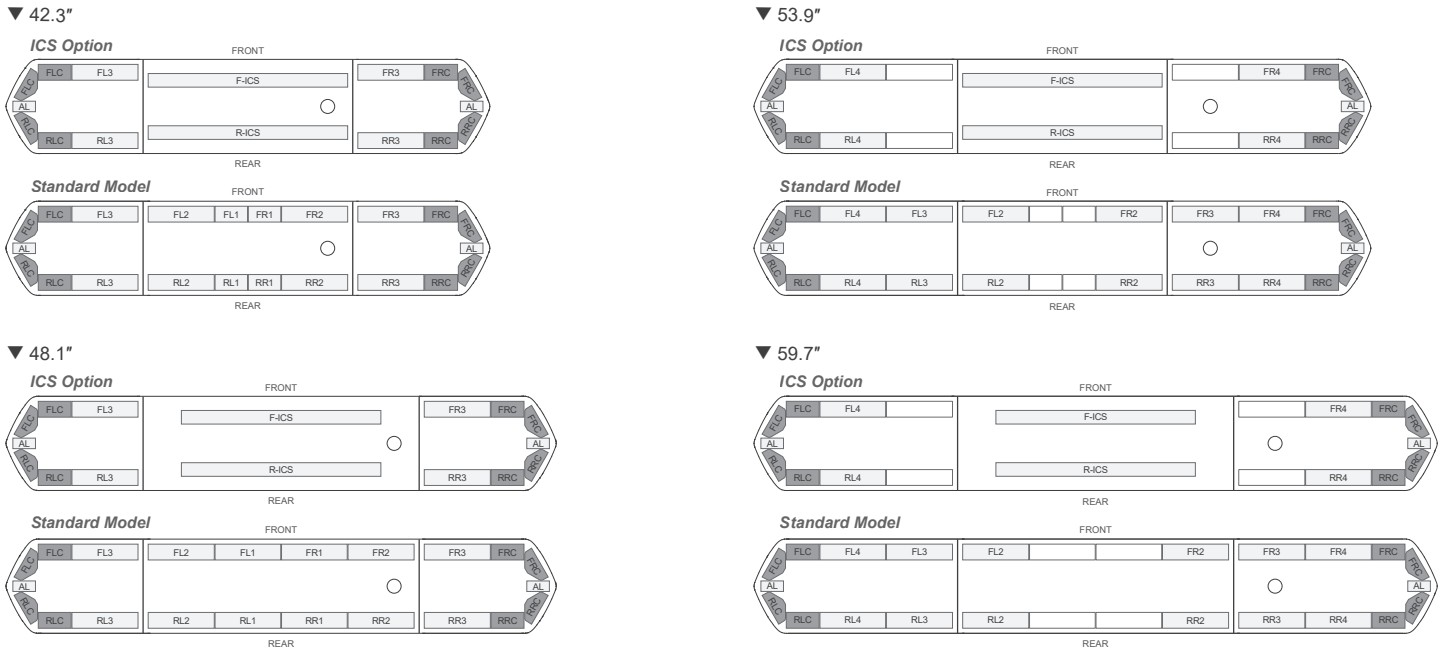
Available Model Length:



Height & Width :



LAYOUT



NOTE 1 : Models shown above are default layouts. For customised lighthouse configuration, contact your sales representative.

NOTE 2 : Each space for standard lighthouse can be replaced by ONE STT lighthouse or TWO short lighthouses (included TDs) or One Centered short lighthouse.

○-Cable-Exit

MOUNTING OPTIONS & ACCESSORY

06490515

Standard Feet Type B
(w/ Strap Kit Plate)*

*For custom strap kit, contact your sales representative.

06490522

Standard Feet Type B
(w/o Strap Kit Plate)

06490539

35mm Rubber Mounting Feet

06300166

Flat Surface Mount Brackets-Narrow

06300432

Flat Surface Mount Brackets-Wide

