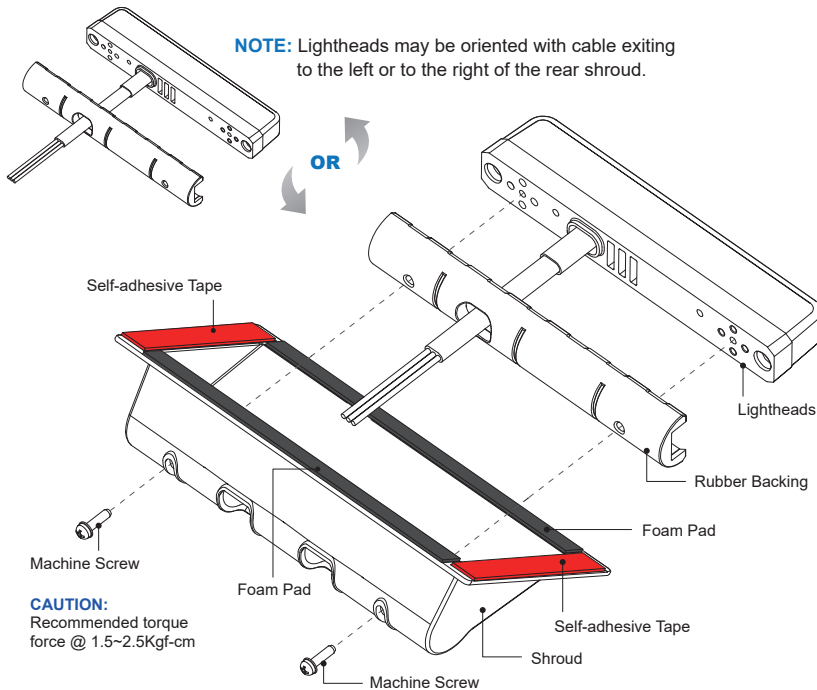


High Gradient Windshield Shroud Kit MANUAL

INSTALLATION

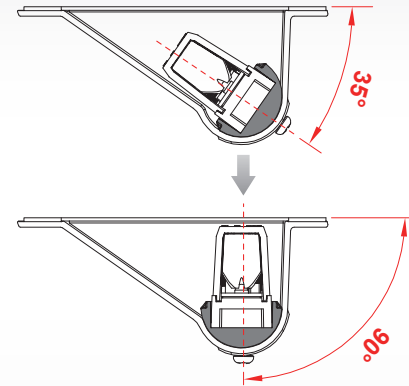
1. Assemble the lighthouse to the plastic shroud with the rubber backing.
2. Adjust the angle of the lighthouse before fixing it with the provided machine screws (ensure that they are on the same level).
3. Choose a mounting area on the windshield that is clear from obstruction to view or interference with driving.
4. Clean the mounting area thoroughly with alcohol and remove tape backings before mounting.
5. Press the assembly firmly against the windshield for 1 minute to complete the installation.
6. Make wiring according to the lighthouse manual.



CAUTION:
Recommended torque
force @ 1.5~2.5Kgf-cm

ADJUSTABLE ANGLE

The angle of lighthouse is adjustable with 55 degree at most for optimum warning efficiency.



Horizontal marking that indicates level of adjustment.

