

B16 CRUISE R65 LED BEACON



FEATURES

- Certified powerful ECE R65 performance.
- Aero-dynamic smooth dome lens for best appearance.
- Low profile design with only 88mm in height.
- Multiple mounting styles for all vehicle applications
- 12-24VDC operation.
- Non-volatile flash pattern memory.
- Multi-units synchronization in simultaneous or alternating flash.
- 100,000 hours ratd long-life LED.
- Reverse polarity protection.
- Weatherproof and shockproof capability for all environment.

SPECIFICATIONS

Compliance ECE R65 (TB1); ECE R10:
SAE J845; CA13; IPX5

Operating Voltage: 12-24VDC

Warning Pattern: 14 flash patterns

LED Element: 3W LED x 8 pcs.

Avg. Current: 1.2A@12.8VDC / 0.7A @24VDC

Max. Current: 2.4A @12.8vdc / 1.3A @24VDC

Max. Power: 30W

Wires:

3-Bolt Mount

Red-vdc: 40cm (20AWG)

Black-GND: 40cm (20AWG)

Yellow-Flash pattern & Sync: 40cm (20AWG)

White-Phase: 40cm (20AWG)

Telescopic Mount

Red-vdc: 40cm (20AWG)

Black-GND: 40cm (20AWG)

White-Phase: 40cm (20AWG)

Fuse Rating: 5A

LED Colour: Blue

Lens Colour: Blue or Clear

Multi-unit Synchronisation: Up to 15 units

Storage Temperature: -40°C to + 75°C

Operating Temperature: -30°C to +65°C

Warranty: 5 Years

PART NO.

05200634 (3-Bolt - Blue LEDs/Blue Lens)

05200641 (3-Bolt - Blue LEDs/Clear Lens)

05200788 (Telescopic - Blue LEDs/Blue Lens)

05200795 (Telescopic - Blue LEDs/Clear Lens)

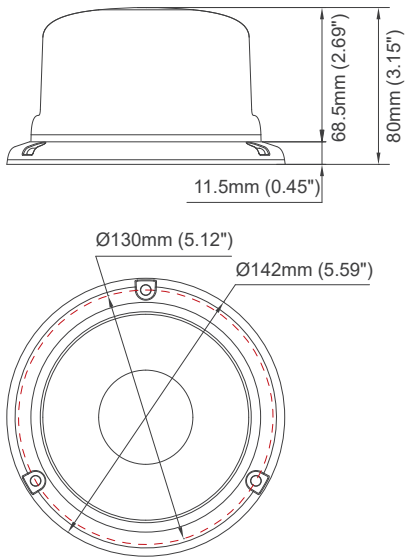
FLASH PATTERN

FP#	FLASH PATTERNS	FP#	FLASH PATTERNS
1	Double R65 (2Hz)	8	Mega
2	Single (2Hz)	9	Ultra
3	Quad (2Hz)	10	Single-Quad
4	Single	11	Single H/L
5	Double	12	Single Column Rotator
6	Quad	13	Double Column Rotator
7	Quint	14	Double Rotator x 5->Quint x 5

*Actual approval is based on the model ordered.

DIMENSIONS

3-Bolt Mount



Telescopic Pole Mount

