

HL-AB Series

LED WORK LAMPS



HL-AB8S



HL-AB12S



HL-AB18S



HL-AB4R



HL-AB12L



HL-AB20L

FEATURES

- Contemporary 'All Black' styling.
- One version approved as highly effective Reversing Lamp.
- Low current consumption and high luminous output.
- Premium brand Osram LED devices used.
- Robust construction and Stainless Fasteners for long life.

SPECIFICATIONS

Compliance:

HLB4S: ECE R10; CISPR 25 Class 3;RoHS; CE;
ECE R148 Reverse (ECE R23)
[Angle from vertical: 45 degrees down]

HLB6S / HLB9S / HLB4R / HLB6L / HLB10L:
ECE R10; CISPR 25 Class 3;RoHS; CE

IP Ratings: IP68; IP69K

TCS (Temperature Control System):

HLB4R: NO

HL4S / HLB6S / HLB9S / HLB6L / HLB10L: YES

Colour Temp: 5000K

Body Material: Aluminium - Powder Coated - Black

Lens Material: Polycarbonate

Bracket Material: Stainless Steel - 304 - Black

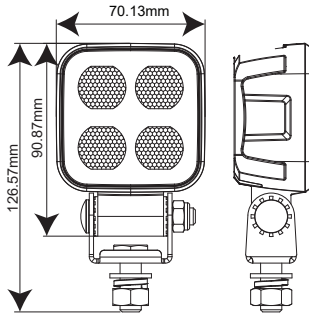
Fasteners Material: Stainless Steel - 304 - Black

Warranty : 2 years

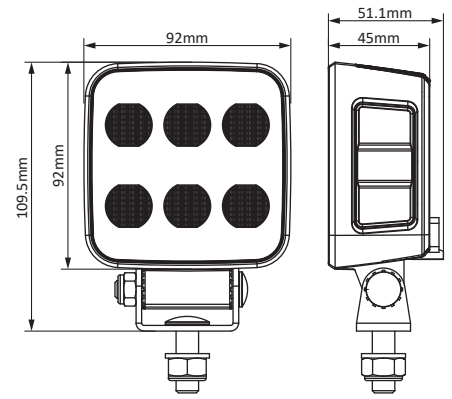
Cell2 Designation	Cell2 Part Number	TCS (Temperature Control System)	Raw Lumens	Effective Lumens	Affective Lumens Low (TCS)	Colour Temp	Qty. of LEDs	Input Voltage	Current @ 12V (A)	Current @ 12V (A) Low (TCS)	Current @ 24V (A)	Current @ 24V (A) Low (TCS)	Power Consumption (W)
HL-AB8S	07090080	Yes	2760	2260	1730	5000K	8	9-36VDC	1.63	1.18	0.80	0.90	20
HL-AB12S	07090103	Yes	6550	4500	2700	5000K	12	9-36VDC	3.58	2.05	1.80	1.05	43
HL-AB18S	07090127	Yes	7310	5720	3960	5000K	18	9-36VDC	4.34	2.65	2.15	1.35	52
HL-AB4R	07090097	No	2600	1850	N/A	5000K	4	9-36VDC	1.53	N/A	0.75	N/A	19
HL-AB12L	07090110	Yes	4630	3580	2510	5000K	12	9-36VDC	2.70	2.00	1.35	1.00	32
HL-AB20L	07090134	Yes	8730	7450	4920	5000K	20	9-36VDC	5.75	3.80	2.80	1.70	69

DIMENSIONS

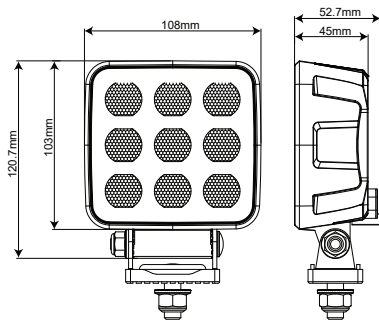
HL-AB8S



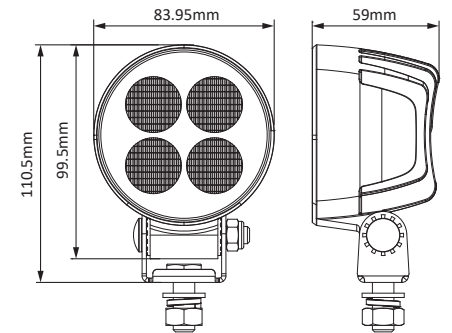
HL-AB12S



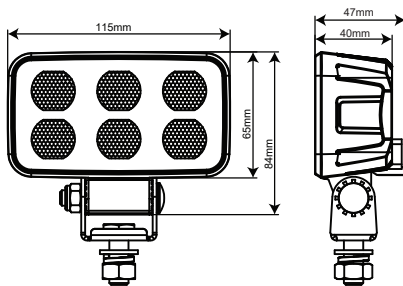
HL-AB18S



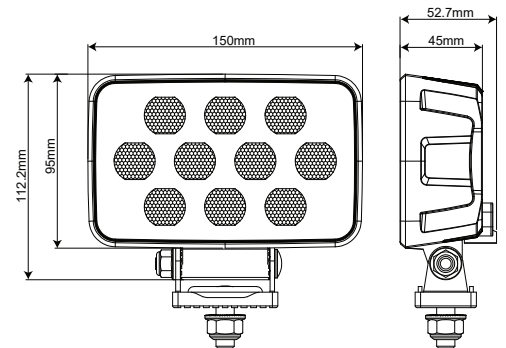
HL-AB4R



HL-AB12L



HL-AB20L



NOTE: The diagrams are not represented to scale.