

HL-OR Series

LED WORK LAMPS

FEATURES

- Semi-Parabolic form reflector.
- Flood or Spot Beam options.
- Low current consumption and high luminous output.
- Premium brand Osram LED devices used.
- Robust construction and Stainless Fasteners for long life.

SPECIFICATIONS

Compliance: ECE R10; RoHS; CE

IP Ratings: IP67; IP69K

Colour Temp: 5700K

Body Material: Aluminium - Powder Coated - Black

Lens Material: Polycarbonate

Bracket Material:

HLOR4S: Stainless Steel - 304 - Natural

HLOR6L: Stainless Steel - 201 - Black

Fasteners Material: Stainless Steel - 304 - Natural

Warranty : 2 years



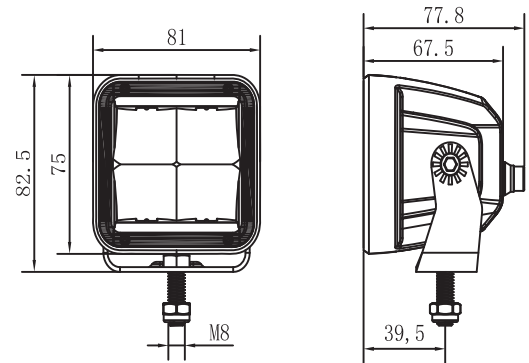
HLOR4S



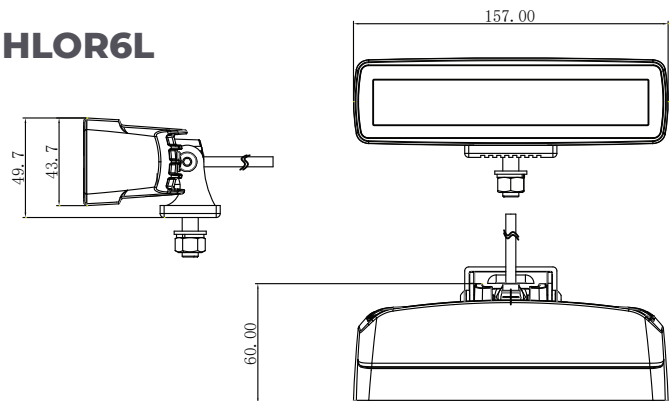
HLOR6L

DIMENSIONS

HLOR4S



HLOR6L



NOTE: The diagrams are not represented to scale.

Cell2 Designation	Cell2 Part Number	Raw Lumens	Effective Lumens	Qty. of LEDs	Beam Type	Input Voltage	Current @ 12V (A)	Current @ 24V (A)	Power Consumption (W)
HL-OR4S Flood	07100536	4800	3320	4	Flood	10-33VDC	3.39	1.65	40
HL-OR4S Spot	07100550	4800	3320	4	Spot	10-33VDC	3.39	1.65	40
HL-OR6L Flood	07100543	2880	1975	6	Flood	10-33VDC	2.04	1.05	25
HL-OR6L Spot	07100567	2880	1975	6	Spot	10-33VDC	2.04	1.05	25